



Weight: 0.0 lbs

| | |
|--------------|-------|
| Project: | Type: |
| Prepared By: | Date: |

Technical Specifications

Performance

Product Type:

Tape Light Accessories - Light Bracket

Description:

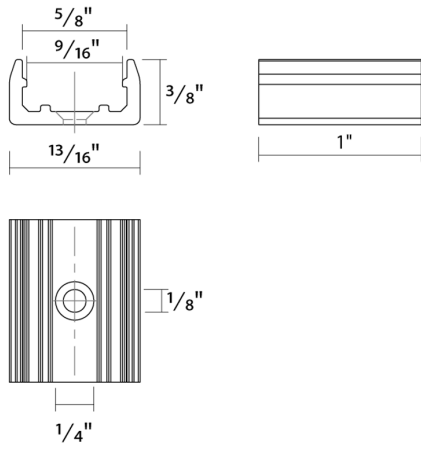
Tape Light Bracket for TNF 16*16mm
10 Brackets and screws in package

Other

Compatible Products:

Compatible with the following NEOFLEX products:
TNFYY, TNFY, TNFYN, TNFN, TNF/LCB, TNF/RGB

Dimensions



Features

- Tape Light Brackets
- 10 Brackets and screws in package