

Weight: 4.4 lbs

<b>Project:</b>	<b>Type:</b>
<b>Prepared By:</b>	<b>Date:</b>

Driver Info		LED Info	
Type	Constant Current	Watts	130W
120V	1.03A	Color Temp	5000K
208V	0.62A	Color Accuracy	80 CRI
240V	0.55A	L70 Lifespan	50,000 Hours
277V	0.49A	Lumens	15,304 lm
Input Watts	130W	Efficacy	121.82

## Technical Specifications

### Performance

#### Product Type:

UFO High Bay Temp Light

#### Description :

Highbay temporary construction lighting that is linkable, high output and versatile enough for any construction project

#### Wattage Equivalency:

400W Metal Halide

#### Input Wattage:

130W

#### Lumens:

15,304lm

#### Efficacy:

121.82lm/W

#### L70 Lifespan:

50,000-Hour LED lifespan based on IES LM-70 results

### Electrical

#### Driver:

Constant Current Class 1 Driver

#### THD:

≤25%

#### Power Factor:

≥0.9

#### Dimmable:

No

#### Input Voltage:

120-277V

#### Operating Frequency:

50/60Hz

#### Input Current @ 120V (mA):

1030mA

#### Input Current @ 208V (mA):

620mA

#### Input Current @ 240V (mA):

550mA

#### Input Current @ 277V (mA):

490mA

#### Operating Temperature:

-20°F to 113°F (-30°C to 45°C)

#### Flicker:

≤30%

#### Surge Protection:

4 kV

### LED Characteristics

#### Beam Angle:

180°

#### Color Temperature:

5000K

#### Color Accuracy (CRI):

>80 CRI

#### Color Consistency:

<7-step MacAdam Ellipse binning to achieve consistent fixture-to-fixture color

### Installation

#### Hardware:

Comes with 1 ft 120V plug with M15 waterproof Connector, or 1 ft hard wire cable

#### Mounting:

Comes with caribinear hook for simple mounting

#### Plug:

18/3 AWG SJOW Cable with M15 waterproof connector

Male port with 6 ft of cable

Female port with .39 ft of cable

## Technical Specifications (continued)

### Linkable:

120V - 5 pcs, Max 600W  
277V - 10 pcs, Max 1200W

### Construction

---

#### Housing Finish:

Construction Orange

#### Lens:

Clear impact resistant Polycarbonate lens

#### Housing:

Die-cast aluminum housing with integrated waterproof on/off switch

### Compliance

---

#### Listings:

UL1598

#### Environment:

Suitable for use indoors and outdoors in dry, damp, or wet environments.

#### California Energy Commission (CEC) Status:

Lawful for Sales in California

#### RoHS:

Mercury and UV free. RoHS-compliant components.

#### FCC:

Complies with Part 15 of the FCC Rules

#### Trade Agreements Act Compliant:

This product is a product of Cambodia and a "designated country" end product that complies with the Trade Agreements Act

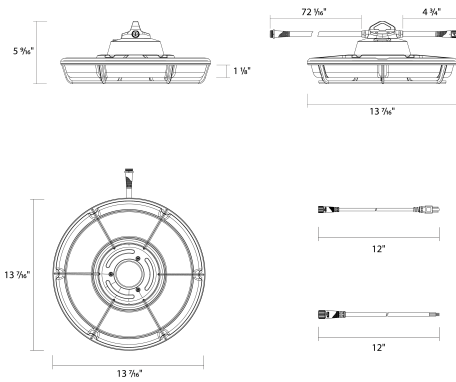
### Other

---

#### 3-Year Limited Warranty:

The RAB 3-year, limited warranty covers light output, driver performance and paint finish. RAB's warranty is subject to all terms and conditions found at [rablighting.com/warranty](http://rablighting.com/warranty)

## Dimensions



## Features

- Temporary UFO Highbay great for industrial applications
- Over 15,000 lumens and super bright 5000K CCT
- Robust die-cast aluminum construction with clear polycarbonate lens
- Linkable SJOW cord with water tight quick connectors to daisy chain fixtures
- 120-277V Driver, 4kV Surge protection, and IP65 Rated
- Comes with 120V NEMA 5-15 Plug and Hard Wire cable in box
- 120-277V NEMA Plug and 25FT Extension cable sold separately

## Ordering Matrix

Family	Wattage	CRI/Color Temp	Voltage	Finish
TEMPBAY	130			
	130 = 130W, (15,600lm)	Blank = 80 CRI, 5000K	Blank = 120-277V	Blank = Orange