



Weight: 0.0 lbs

Project:

Type:

Prepared By:

Date:

Technical Specifications

Performance

Product Type:

Tape Light Accessories - 2-Pin Connector

Description:

Tape Light Connector IP20 2Pin PCB Width 10mm w/
15cm Wire

Includes:

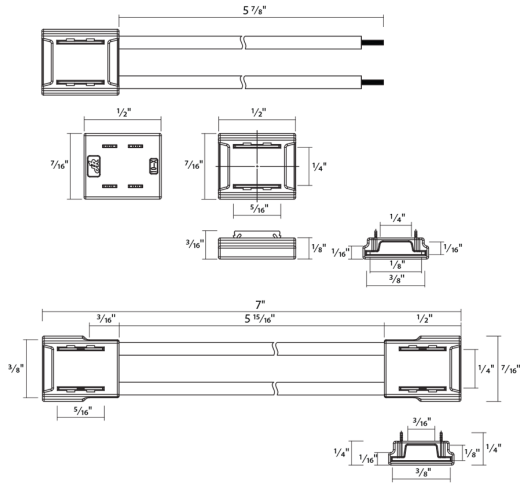
- 1 PCB-PCB connector
- 1 PCB-Wire connector
- 1 PCB-Wire-PCB connector

Other

Compatible Products:

Compatible with the following ARCTAPE products:
TIC/DW

Dimensions



Features

- Tape Light Connector Kit 2-Pin for Dim-to-Warm Tape Light
- 1 PCB-PCB connector
- 1 PCB-Wire connector
- 1 PCB-Wire-PCB connector