



Weight: 0.1 lbs

<b>Project:</b>	<b>Type:</b>
<b>Prepared By:</b>	<b>Date:</b>

**Technical Specifications**

**Performance**

---

**Product Type:**

Tape Light Accessories - Silicone End Caps

**Description:**

Tape Light Silicone End Caps for TNF 2Pin

Includes:

- 1 2-pin hard wiring, 11.81 in.
- 1 tail fed + 1 side/bottom fed front cap
- 1 silicone endcap
- 1 glue

**Other**

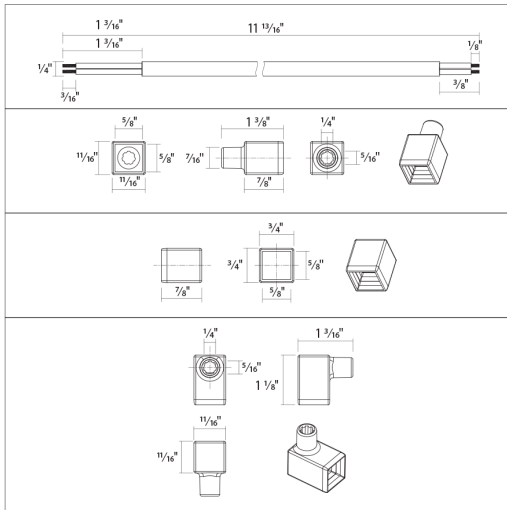
---

**Compatible Products:**

Compatible with the following NEOFLEX products:

TNFYY, TNFY, TNFYN, TNFN

**Dimensions**



**Features**

- Tape Light Silicone End Caps Kit
- Includes 1 2-Pin hard wiring, 11.81 in.
- 1 Tail fed + 1 side/bottom-fed front cap
- 1 Silicone endcap
- 1 Glue