



Color: Gray

Weight: 2.0 lbs

| | |
|---------------------|--------------|
| Project: | Type: |
| Prepared By: | Date: |

| Driver Info | | LED Info | |
|-------------|-------------------|----------------|------------------|
| Type | Constant Current | Watts | 20/16/12W |
| 120V | 0.17A/0.14A/0.10A | Color Temp | 3000/4000/5000K |
| 208V | 0.10A/0.08A/0.06A | Color Accuracy | 83-86 CRI |
| 240V | 0.09A/0.07A/0.06A | L70 Lifespan | 100,000 Hours |
| 277V | 0.08A/0.06A/0.05A | Lumens | 1,405-2,421 lm |
| Input Watts | 12.1-19.8W | Efficacy | 110.9-127.7 lm/W |

Technical Specifications

Field Adjustability

Field Adjustable:

Field Adjustable Light Output:
20/16/12W(factory default 20W)
Color Temperature Selectable:
3000K, 4000K and 5000K (factory default: 5000K)

Compliance

UL Listed:

Suitable for wet locations

IP Rating:

Ingress protection rating of IP65 for dust and water

IESNA LM-79 & LM-80 Testing:

RAB LED luminaires and LED components have been tested by an independent laboratory in accordance with IESNA LM-79 and LM-80.

Performance

Lifespan:

100,000-Hour LED lifespan based on IESIm-80 results and TM-21 calculations

LED Characteristics

LEDs:

Long-life, high-efficiency, surface-mount LEDs

Color Consistency:

3-step MacAdam Ellipse binning to achieve consistent fixture-to-fixture color

Color Stability:

LED color temperature is warrantied to Shift no more than 200K in color temperature over a 5-year period

Color Uniformity:

RAB's range of Correlated Color Temperature follows the guidelines of the American National Standard for Specifications for the Chromaticity of Solid State Lighting (SSL) Products, ANSI C38.377-2011.

Construction

Cold Weather Starting:

The minimum starting temperature is -40°F (-40°C)

Maximum Ambient Temperature:

Suitable for use in up to 113°F (45°C)

Housing:

Polycarbonate

Reflector:

Polycarbonate

Gaskets:

High-temperature silicone

Tilt Increment:

Rotates in 10 degree increments

Lens:

Polycarbonate lens

Green Technology:

Mercury and UV free. RoHS-compliant components.

Finish:

Natural shot blasted aluminum

Installation

Mounting:

Three 1/2" NPS conduit entry points

Electrical

Driver:

20W: Constant Current, Class 1, 50/60 Hz, 120-277V, 120V: 0.17A, 208V: 0.10A, 240V: 0.09A, 277V: 0.08A
16W: Constant Current, Class 1, 50/60 Hz, 120-277V, 120V: 0.14A, 208V: 0.08A, 240V: 0.07A, 277V: 0.06A
12W: Constant Current, Class 1, 50/60 Hz, 120-277V, 120V: 0.10A, 208V: 0.06A, 240V: 0.06A, 277V: 0.05A

THD:

Downlight: 11.37% @120V, 9.73% @ 277V
Up+Downlight: 11.38% @120V, 9.69% @ 277V

Technical Specifications (continued)

Power Factor:

Downlight: 98.7% @120V, 92.9% @ 277V
 Up+Downlight: 98.7% @120V, 92.9% @ 277V

Photocell:

Integrated DC photocell

Surge Protection:

2 kV

Aux Power Supply:

No

Dim to Off:

No

Optical

BUG Rating:

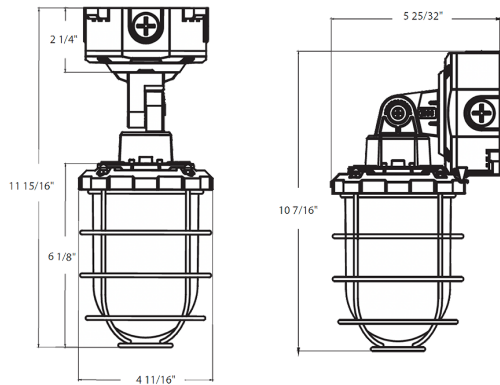
20W: B1 U4 G2
 16W: B1 U4 G2
 12W: B1 U3 G1

Other

5-Year Limited Warranty:

The RAB 5-year, limited warranty covers light output, driver performance and paint finish. RAB's warranty is subject to all terms and conditions found at rablighting.com/warranty.

Dimensions



Features

- 100,000-Hour LED lifespan
- IP65 rating protects against dust and water
- 5-Year, Limited warranty

Ordering Matrix

| Family | Wattage | Color Temp | Finish | Optics | Driver |
|--------|---------|------------|--------|--------|--------|
| VX | 20 | | | | |

20 = 20/16/12W **Blank** = 3000/4000/5000K CCT Adjustable **Blank** = Gray **Blank** = Downlight/Up+Downlight **Blank** = 120-277V, On/Off Photocell