



Color: Natural shot blasted aluminum

Weight: 2.8 lbs

Project:	Type:
Prepared By:	Date:

Driver Info		LED Info	
Type	Constant Current	Watts	26/18/12W
120V	0.23A/0.15A/0.10A	Color Temp	RGB/5000K
208V	0.14A/0.09A/0.06A	Color Accuracy	84 CRI
240V	0.12A/0.08A/0.06A	L70 Lifespan	100,000 Hours
277V	0.11A/0.07A/0.05A	Lumens	268-3,151 lm
Input Watts	9-27.9W	Efficacy	22.6-121.5 lm/W

Technical Specifications

Field Adjustability

Field Adjustable:

Field Adjustable Light Output:
26/18/12W(factory default 18W)
Color Temperature Selectable:
RGB and 5000K (factory default 5000K)
Daylight Sensor (factory default: off)

Compliance

UL Listed:

Suitable for wet locations

IP Rating:

Ingress protection rating of IP65 for dust and water

IESNA LM-79 & LM-80 Testing:

RAB LED luminaires and LED components have been tested by an independent laboratory in accordance with IESNA LM-79 and LM-80.

Trade Agreements Act Compliant:

This product is a product of Cambodia and a "designated country" end product that complies with the Trade Agreements Act

Performance

Lifespan:

100,000-Hour LED lifespan based on IESIm-80 results and TM-21 calculations

LED Characteristics

LEDs:

Long-life, high-efficiency, surface-mount LEDs

Color Consistency:

3-step MacAdam Ellipse binning to achieve consistent fixture-to-fixture color

Color Stability:

LED color temperature is warranted to Shift no more than 200K in color temperature over a 5-year period

Color Uniformity:

RAB's range of Correlated Color Temperature follows the guidelines of the American National Standard for Specifications for the Chromaticity of Solid State Lighting (SSL) Products, ANSI C38.377-2011.

Construction

Cold Weather Starting:

The minimum starting temperature is -40°F (-40°C)

Maximum Ambient Temperature:

Suitable for use in up to 113°F (45°C)

Housing:

Die-cast aluminum

Reflector:

Polycarbonate

Gaskets:

High-temperature silicone

Lens:

Polycarbonate lens

Green Technology:

Mercury and UV free. RoHS-compliant components.

Finish:

Natural shot blasted aluminum

Installation

Mounting:

Three 1/2" NPS conduit entry points

Electrical

Driver:

26W: Constant Current, Class 1, 50/60 Hz, 120-277V, 120V: 0.23A, 208V: 0.14A, 240V: 0.12A, 277V: 0.11A
18W: Constant Current, Class 1, 50/60 Hz, 120-277V, 120V: 0.15A, 208V: 0.09A, 240V: 0.08A, 277V: 0.07A
12W: Constant Current, Class 1, 50/60 Hz, 120-277V, 120V: 0.10A, 208V: 0.06A, 240V: 0.06A, 277V: 0.05A

Technical Specifications (continued)

THD:
4.91% at 120V, 17.7% at 277V

Power Factor:
98.9% at 120V, 85.8% at 277V

Photocell:
Built-in daylight sensor

Surge Protection:
4 kV

Aux Power Supply:
No

Dim to Off:
No

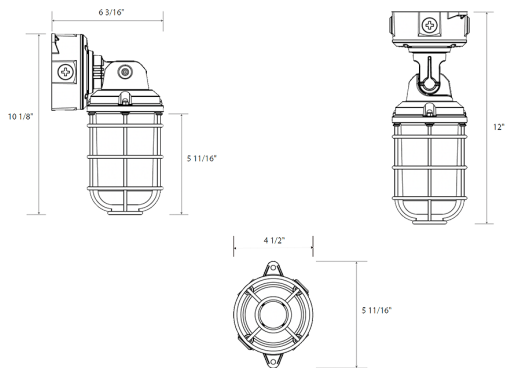
Optical

BUG Rating:
26W: B1 U3 G2
18W: B1 U3 G1
12W: B1 U3 G1

Other

5-Year Limited Warranty:
The RAB 5-year, limited warranty covers light output, driver performance and paint finish. RAB's warranty is subject to all terms and conditions found at rablighting.com/warranty.

Dimensions



Features

- 100,000-Hour LED lifespan
- IP65 rating protects against dust and water
- 5-Year, Limited warranty

Ordering Matrix

Family	Wattage	Color Temp	Finish	Optics	Driver
VXRGB	26				
	26 = 26/18/12W	Blank = Red/Green/Blue/5000K CCT Adjustable	Blank = Natural Shot Blasted Aluminum	Blank = Downlight Only	Blank = 120-277V, On/Off Photocell