



<b>Project:</b>	<b>Type:</b>
<b>Prepared By:</b>	<b>Date:</b>

Driver Info		LED Info	
Type	Constant	Watts	30/25/20/15W
120V	N/A	Color Temp	3000/4000/5000K
208V	N/A	Color Accuracy	83-86 CRI
240V	N/A	L70 Lifespan	100,000 Hours
277V	N/A	Lumens	1,982-4,279 lm
Input Watts	17-31W	Efficacy	114.6-139.9 lm/W

**Technical Specifications**

**Field Adjustability**

**Cutoff Adjustability:**

45°, 30°, 15° and 0° (factory default 45°)

**Field Adjustable:**

Field Adjustable Light Output:

30W/25W/20W/15W (factory default 30W)

Color temperature selectable 3000K, 4000K and 5000K (factory default 4000K)

**Compliance**

**UL Listed:**

Suitable for wet locations

**DLC Listed:**

This product family is listed with the DesignLights Consortium (DLC). Individual SKUs within this family may carry either a DLC Standard or DLC Premium qualification. Please refer to the individual product specification sheet or the DLC Qualified Products List (QPL) at [designlights.org](http://designlights.org) to confirm the qualification status of a specific SKU prior to specification or purchase.

**Electrical**

**Driver:**

Constant Current, Class 1, 480V, 50/60 Hz:

30W: 480V: 0.07A

25W: 480V: 0.07A

20W: 480V: 0.06A

15A: 480V: 0.06A

**Dimming Driver:**

Driver includes dimming control wiring for 0-10V dimming systems. Requires separate 0-10V DC dimming circuit. Dims down to 10%.

**Photocell:**

Integrated photocell included with on/off switch

**Surge Protection:**

DM 2 kV+ CM 4 kV

**Performance**

**Lifespan:**

100,000-Hour LED lifespan based on IESlm-80 results and TM-21 calculations

**Performance Data:**

[Click here for the W22-S-30/480 performance data](#)

**Wattage Equivalency:**

30W: Replaces up to 125W Metal Halide (MH) or 100W High Pressure Sodium (HPS)

25W: Replaces up to 125W Metal Halide (MH) or 100W High Pressure Sodium (HPS)

20W: Replaces up to 100W Metal Halide (MH) or 70W High Pressure Sodium (HPS)

15W: Replaces up to 70W Metal Halide (MH) or 70W High Pressure Sodium (HPS)

**LED Characteristics**

**LEDs:**

Long-life, high-efficacy, surface-mount LEDs

**Color Uniformity:**

RAB's range of Correlated Color Temperature follows the guidelines of the American National Standard for Specifications for the Chromaticity of Solid State Lighting (SSL) Products, ANSI C78.377-2017.

**Construction**

**Housing:**

Die-cast aluminum

**Lens:**

Glass

**Reflector:**

Aluminum

## Technical Specifications (continued)

### Cold Weather Starting:

The minimum starting temperature is -40°F (-40°C)

### Maximum Ambient Temperature:

Suitable for use in up to 104°F (40°C)

### Green Technology:

Mercury and UV free. RoHS-compliant components.

### Finish:

Formulated for high durability and long-lasting color

## Installation

### Mounting:

Surface mount for recessed junction box; 3 conduit entry points

## Optical

### BUG Rating:

30W: B1 U3 G3

25W: B1 U3 G3

20W: B1 U3 G3

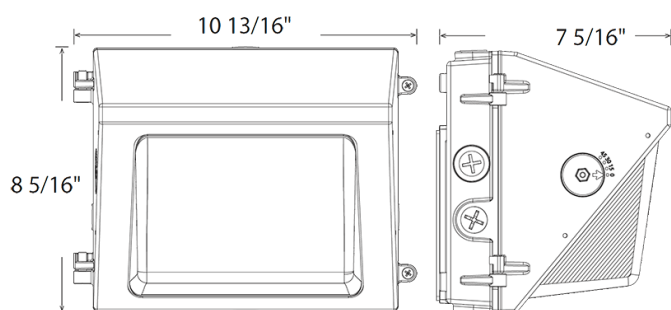
15W: B1 U3 G2

## Other

### 5-Year Limited Warranty:

The RAB 5-year, limited warranty covers light output, driver performance and paint finish. RAB's warranty is subject to all terms and conditions found at [rablighting.com/warranty](http://rablighting.com/warranty).

## Dimensions



## Features

100,000-Hour LED lifespan

0-10V dimming standard

5-Year, limited warranty

## Ordering Matrix

Family	Housing Size	Wattage	Color Temp	Finish	Forward Throw	Driver	Controls	Battery Backup
W22	S	30		W		/480		
	M = Medium L = Large S = Small	30 = 30/25/20/15W <sup>1</sup> 60 = 60/50/40/30W <sup>2</sup> 100 = 100/85/70/50W <sup>2</sup> 150 = 150/125/100/75W <sup>3</sup>	Blank = 3000/4000/5000K Adjustable	Blank = Bronze W = White	Blank = Adjustable Throw 0°/15°/30°/45°	Blank = 120-277V /480 = 480V	Blank = Selectable Photocell /LCBS/MVS = Selectable Photocell w/Lightcloud Blue MVS Sensor	Blank = None /E = Battery Backup

<sup>1</sup> S (Small) models only

<sup>2</sup> M (Medium) models only

<sup>3</sup> L (Large) models only

<sup>4</sup> Battery backup available only on M (Medium) and L (Large) models with 120-277V