



Color: Bronze

Weight: 5.5 lbs

| | |
|---------------------|--------------|
| Project: | Type: |
| Prepared By: | Date: |

| Driver Info | | LED Info | |
|-------------|----------|----------------|------------------|
| Type | Constant | Watts | 30/25/20/15W |
| 120V | N/A | Color Temp | 3000/4000/5000K |
| 208V | N/A | Color Accuracy | 83-86 CRI |
| 240V | N/A | L70 Lifespan | 100,000 Hours |
| 277V | N/A | Lumens | 1,982-4,279 lm |
| Input Watts | 17-31W | Efficacy | 114.6-139.9 lm/W |

Technical Specifications

Field Adjustability

Cutoff Adjustability:

45°, 30°, 15° and 0° (factory default 45°)

Field Adjustable:

Field Adjustable Light Output:

30W/25W/20W/15W (factory default 30W)

Color temperature selectable 3000K, 4000K and 5000K (factory default 4000K)

Compliance

UL Listed:

Suitable for wet locations

DLC Listed:

This product family is listed with the DesignLights Consortium (DLC). Individual SKUs within this family may carry either a DLC Standard or DLC Premium qualification. Please refer to the individual product specification sheet or the DLC Qualified Products List (QPL) at designlights.org to confirm the qualification status of a specific SKU prior to specification or purchase.

Electrical

Driver:

Constant Current, Class 1, 480V, 50/60 Hz:

30W: 480V: 0.07A

25W: 480V: 0.07A

20W: 480V: 0.06A

15A: 480V: 0.06A

Dimming Driver:

Driver includes dimming control wiring for 0-10V dimming systems. Requires separate 0-10V DC dimming circuit. Dims down to 10%.

Photocell:

Integrated photocell included with on/off switch

Surge Protection:

DM 2 kV+ CM 4 kV

Performance

Lifespan:

100,000-Hour LED lifespan based on IESlm-80 results and TM-21 calculations

Performance Data:

[Click here for the W22-S-30/480 performance data](#)

Wattage Equivalency:

30W: Replaces up to 125W Metal Halide (MH) or 100W High Pressure Sodium (HPS)

25W: Replaces up to 125W Metal Halide (MH) or 100W High Pressure Sodium (HPS)

20W: Replaces up to 100W Metal Halide (MH) or 70W High Pressure Sodium (HPS)

15W: Replaces up to 70W Metal Halide (MH) or 70W High Pressure Sodium (HPS)

LED Characteristics

LEDs:

Long-life, high-efficacy, surface-mount LEDs

Color Uniformity:

RAB's range of Correlated Color Temperature follows the guidelines of the American National Standard for Specifications for the Chromaticity of Solid State Lighting (SSL) Products, ANSI C78.377-2017.

Construction

Housing:

Die-cast aluminum

Lens:

Glass

Reflector:

Aluminum

Technical Specifications (continued)

Cold Weather Starting:

The minimum starting temperature is -40°F (-40°C)

Maximum Ambient Temperature:

Suitable for use in up to 104°F (40°C)

Green Technology:

Mercury and UV free. RoHS-compliant components.

Finish:

Formulated for high durability and long-lasting color

Installation

Mounting:

Surface mount for recessed junction box; 3 conduit entry points

Optical

BUG Rating:

30W: B1 U3 G3

25W: B1 U3 G3

20W: B1 U3 G3

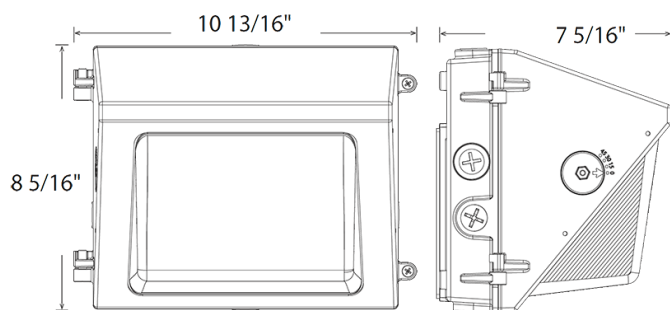
15W: B1 U3 G2

Other

5-Year Limited Warranty:

The RAB 5-year, limited warranty covers light output, driver performance and paint finish. RAB's warranty is subject to all terms and conditions found at rablighting.com/warranty.

Dimensions



Features

100,000-Hour LED lifespan

0-10V dimming standard

5-Year, limited warranty

Ordering Matrix

| Family | Housing Size | Wattage | Color Temp | Finish | Forward Throw | Driver | Controls | Battery Backup |
|--------|--------------------------------------|---|--|--------------------------------|--|------------------------------------|---|---|
| W22 | S | 30 | | | | /480 | | |
| | M = Medium L = Large S = Small | 30 = 30/25/20/15W ¹ 60 = 60/50/40/30W ² 100 = 100/85/70/50W ² 150 = 150/125/100/75W ³ | Blank = 3000/4000/5000K Adjustable | Blank = Bronze W = White | Blank = Adjustable Throw 0°/15°/30°/45° | Blank = 120-277V /480 = 480V | Blank = Selectable Photocell /LCBS/MVS = Selectable Photocell w/Lightcloud Blue MVS Sensor | Blank = None /E = Battery Backup |

¹ S (Small) models only

² M (Medium) models only

³ L (Large) models only

⁴ Battery backup available only on M (Medium) and L (Large) models with 120-277V