



18 Watt LED wall sconce. Die-cast aluminum wall bracket with five 1/2" conduit openings with plugs.

Color: Bronze

Weight: 15.0 lbs

|                     |              |
|---------------------|--------------|
| <b>Project:</b>     | <b>Type:</b> |
| <b>Prepared By:</b> | <b>Date:</b> |

| Driver Info |                  | LED Info       |               |
|-------------|------------------|----------------|---------------|
| Type        | Constant Current | Watts          | 18W           |
| 120V        | N/A              | Color Temp     | 3000K (Warm)  |
| 208V        | 0.18A            | Color Accuracy | 75 CRI        |
| 240V        | 0.15A            | L70 Lifespan   | 100,000 Hours |
| 277V        | 0.12A            | Lumens         | 1,886 lm      |
| Input Watts | 17.1W            | Efficacy       | 110.3 lm/W    |

**Technical Specifications**

**Electrical**

**Driver:**

Constant Current, Class 2, 100-277V, 50/60 Hz, 4kV Surge Protection, 700mA, 120V: 0.24A, 208V: 0.18A, 240V: 0.15A, 277V: 0.12A

**THD:**

8.22% at 120V, 8.87% at 277V

**Power Factor:**

99.08% at 120V, 94.4% at 277V

**Photocell:**

277V Swivel photocell included. Photocell is compatible with 208V-277V.

**Compliance**

**UL Listed:**

Suitable for wet locations

**IESNA LM-79 & LM-80 Testing:**

RAB LED luminaires and LED components have been tested by an independent laboratory in accordance with IESNA LM-79 and LM-80.

**LED Characteristics**

**LEDs:**

Long-life, high-efficiency, surface-mount LEDs

**Color Consistency:**

5-step MacAdam Ellipse binning to achieve consistent fixture-to-fixture color

**Color Stability:**

LED color temperature is warranted to Shift no more than 200K in color temperature over a 5-year period

**Color Uniformity:**

RAB's range of Correlated Color Temperature follows the guidelines of the American National Standard for Specifications for the Chromaticity of Solid State Lighting (SSL) Products, ANSI C78.377-2017

**Performance**

**Lifespan:**

100,000-Hour LED lifespan based on IESIm-80 results and TM-21 calculations

**Optical**

**BUG Rating:**

B1 U3 G2

**Construction**

**Cold Weather Starting:**

The minimum starting temperature is -40°F (-40°C)

**Thermal Management:**

Cast aluminum Thermal Management system for optimal heat sinking. The BLED is designed for cool operation, maximum efficiency and long life by minimizing LED junction temperature.

**Housing:**

Reinforced Die-cast Aluminum

**Lens:**

Polycarbonate lens

**Reflector:**

Vacuum-metalized polycarbonate

**Gaskets:**

High-temperature silicone gaskets seal out moisture gaskets seal out moisture

**Finish:**

Our environmentally friendly polyester powder coatings are formulated for high-durability and long-lasting color

**Green Technology:**

Mercury and UV free. RoHS-compliant components.

**Installation**

**Mounting:**

Die-cast aluminum wall bracket with five (5) 1/2" conduit openings with plugs

**Technical Specifications (continued)**

**Other**

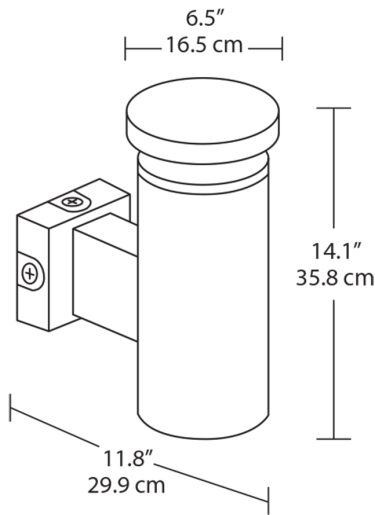
**Patents:**

The design of WBLED is protected by patents in US, Canada & China

**5-Year, No-Compromise Warranty:**

RAB warrants that our LED products will be free from defects in materials and workmanship for a period of five (5) years from the date of delivery to the end user, including coverage of light output, color stability, driver performance and fixture finish. RAB's warranty is subject to all terms and conditions found at [rablighting.com/warranty](http://rablighting.com/warranty).

**Dimensions**



**Features**

- 18 Watt LED architectural wall sconce
- Companion fixture to RAB BLED Round and Square Bollard
- Durable construction and vandal-resistant polycarbonate lens
- 100,000-hour LED lifespan

**Ordering Matrix**

| Family | Shape                       | Wattage  | Color Temp  | Finish                      | Photocell Option   |
|--------|-----------------------------|----------|---|-----------------------------|--|
| WBLED  | R                           | 18       | Y   |                             | /PCS2  |
|        | Blank = Square<br>R = Round | 18 = 18W | Blank = 5000K Cool<br>Y = 3000K Warm<br>N = 4000K Neutral | Blank = Bronze<br>W = White | Blank = No Option<br>/PCS = 120V Swivel Photocell<br>/PCS2 = 277V Swivel Photocell |