



18 Watt LED wall sconce. Die-cast aluminum wall bracket with five 1/2" conduit openings with plugs.

Color: Bronze

Weight: 15.0 lbs

| | |
|---------------------|--------------|
| Project: | Type: |
| Prepared By: | Date: |

| Driver Info | | LED Info | |
|-------------|------------------|----------------|---------------|
| Type | Constant Current | Watts | 18W |
| 120V | 0.24A | Color Temp | 3000K (Warm) |
| 208V | N/A | Color Accuracy | 75 CRI |
| 240V | N/A | L70 Lifespan | 100,000 Hours |
| 277V | N/A | Lumens | 1,886 lm |
| Input Watts | 17.1W | Efficacy | 110.3 lm/W |

Technical Specifications

Electrical

Driver:

Constant Current, Class 2, 100-277V, 50/60 Hz, 4kV Surge Protection, 700mA, 120V: 0.24A, 208V: 0.18A, 240V: 0.15A, 277V: 0.12A

THD:

8.22% at 120V, 8.87% at 277V

Power Factor:

99.08% at 120V, 94.4% at 277V

Photocell:

120V Swivel photocell included. Photocell is only compatible with 120V.

Compliance

UL Listed:

Suitable for wet locations

IESNA LM-79 & LM-80 Testing:

RAB LED luminaires and LED components have been tested by an independent laboratory in accordance with IESNA LM-79 and LM-80.

LED Characteristics

LEDs:

Long-life, high-efficiency, surface-mount LEDs

Color Consistency:

5-step MacAdam Ellipse binning to achieve consistent fixture-to-fixture color

Color Stability:

LED color temperature is warranted to Shift no more than 200K in color temperature over a 5-year period

Color Uniformity:

RAB's range of Correlated Color Temperature follows the guidelines of the American National Standard for Specifications for the Chromaticity of Solid State Lighting (SSL) Products, ANSI C78.377-2017

Performance

Lifespan:

100,000-Hour LED lifespan based on IESIm-80 results and TM-21 calculations

Optical

BUG Rating:

B1 U3 G2

Construction

Cold Weather Starting:

The minimum starting temperature is -40°F (-40°C)

Thermal Management:

Cast aluminum Thermal Management system for optimal heat sinking. The BLED is designed for cool operation, maximum efficiency and long life by minimizing LED junction temperature.

Housing:

Reinforced Die-cast Aluminum

Lens:

Polycarbonate lens

Reflector:

Vacuum-metalized polycarbonate

Gaskets:

High-temperature silicone gaskets seal out moisture gaskets seal out moisture

Finish:

Our environmentally friendly polyester powder coatings are formulated for high-durability and long-lasting color

Green Technology:

Mercury and UV free. RoHS-compliant components.

Installation

Mounting:

Die-cast aluminum wall bracket with five (5) 1/2" conduit openings with plugs

Technical Specifications (continued)

Other

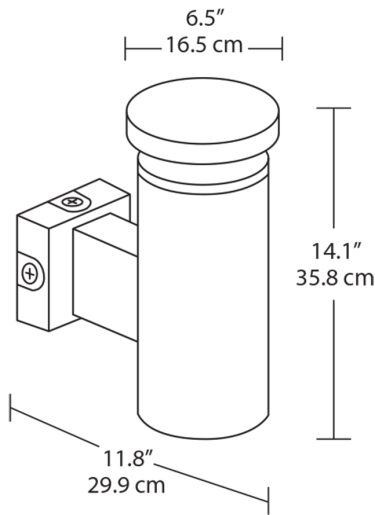
Patents:

The design of WBLED is protected by patents in US, Canada & China

5-Year, No-Compromise Warranty:

RAB warrants that our LED products will be free from defects in materials and workmanship for a period of five (5) years from the date of delivery to the end user, including coverage of light output, color stability, driver performance and fixture finish. RAB's warranty is subject to all terms and conditions found at rablighting.com/warranty.

Dimensions



Features

- 18 Watt LED architectural wall sconce
- Companion fixture to RAB BLED Round and Square Bollard
- Durable construction and vandal-resistant polycarbonate lens
- 100,000-hour LED lifespan

Ordering Matrix

| Family | Shape | Wattage | Color Temp | Finish | Photocell Option |
|--------|-----------------------------|----------|---|-----------------------------|--|
| WBLED | R | 18 | Y | | /PCS |
| | Blank = Square R = Round | 18 = 18W | Blank = 5000K Cool Y = 3000K Warm N = 4000K Neutral | Blank = Bronze W = White | Blank = No Option /PCS = 120V Swivel Photocell /PCS2 = 277V Swivel Photocell |