



Project:	Type:
Prepared By:	Date:

Driver Info		LED Info	
Type	Constant Current	Watts	9W
120V	0.08A	Color Temp	2700/3000/3500/4000/5000K
208V	0.05A	Color Accuracy	90 CRI
240V	0.05A	L70 Lifespan	N/A
277V	0.04A	Lumens	750 lm
Input Watts	9W	Efficacy	83

Technical Specifications

Performance

Product Type:
Edge-lit Wafer w/PIR

Description :

Direct mount downlights with adjustable dip switches for color temperature, motion modes, and hold times.

Wattage Equivalency:

40W Incandescent

Input Wattage:

9W

Lumens (Nominal):

750lm

Efficacy:

83lm/W

L70 Lifespan:

50,000-Hour LED lifespan based on IES LM-70 results

Electrical

Driver:

Constant Current 120-277V 60 Hz; 120V: 80mA; 208V: 50mA; 240V: 45mA; 277V: 40mA

THD:

≤20%

Power Factor:

≥0.9

Dimmable:

No

Flicker:

≤30%

Construction

Operating Temperature Range:

-4°F - 104°F (-20°C - 40°C)

Size:

4"

Shape:

Round

Finish:

White

Enclosure Material:

Metal

Trim Style:

Smooth

Lens Finish:

Frosted

Lens:

Polycarbonate light diffuser distributes light evenly and smoothly for general lighting applications

Air Tight:

Housing certified Air Tight as per ASTM-E283

Sensor Settings

Sensor Connection Type:

Intergrated

Max Mounting Height:

6 1/2 ft

Detection Range:

13 ft diameter at 6 1/2 ft mounting height

Sensor Technology:

Passive Infrared (PIR)

Adjustable Sensor Settings?:

Integrated dip switches to adjust motion modes and hold times

Technical Specifications (continued)

Motion Modes:

Auto (default): Light OFF during the day, stays OFF at night, turns ON at 100% brightness when motion is detected and stays on until the specified hold time expires and the light turns OFF.

Bi-Level: Light OFF during the day, stays OFF at night, turns ON at 100% brightness when motion is detected and stays on until the specified hold time expires, light reduces to 50% brightness until the specified hold time expires and the light turns OFF.

Off: Motion detection is disabled.

Hold Times:

30 seconds (default), 5 minutes, 10 minutes

Photocell:

Dawn to dusk

LED Characteristics

Beam Angle:

110°±10°

Color Temperature:

Default 3000K

Field adjustable via dip switch
2700/3000/3500/4000/5000K

Color Accuracy (CRI):

90 CRI

R9 Value:

High color performance with R9 greater than 50

Color Consistency:

<4-step MacAdam Ellipse binning to achieve consistent fixture-to-fixture color

Color Stability:

LED color temperature is warrantied to Shift no more than 200K in color temperature over a 5-year period

Color Uniformity:

RAB's range of Correlated Color Temperature follows the guidelines of the American National Standard for Specifications for the Chromaticity of Solid State Lighting (SSL) Products, ANSI C78.377-2017.

Installation

Mounting:

Recessed, no housing required

Compliance

Listings:

UL Listed

Environment:

Suitable for use indoors and outdoors in dry, damp, or wet environments.

IC Rated:

Suitable for direct contact with insulation. Type IC inherently protected, suitable for direct contact to air permeable insulation and cULus listed for damp locations. Not for use in direct contact with spray foam insulation, consult NEMA LSD57-2013.

Energy Star Approved:

This product is ENERGY STAR® Certified.

Certification Model Number:

DLW0150(WFR-4R/PIR)

California Title 20 Compliant:

No

California Title 24 JA8 Compliant:

Can be used to conform with the requirements of California Title 24 Part 6.

California Energy Commission (CEC) Status:

Lawful for Sales in California

IESNA LM-79 & LM-80 Testing:

RAB LED luminaires and LED components have been tested by an independent laboratory in accordance with IESNA LM-79 and LM-80.

RoHS:

Mercury and UV free. RoHS-compliant components.

FCC:

Complies with Part 15 of the FCC Rules

Trade Agreements Act Compliant:

This product is a product of Cambodia and a "designated country" end product that complies with the Trade Agreements Act

Other

Compatible Accessories:

DLPLATE/WFR3468/NB
3", 4", 6", 8" Mounting plate with nailer bar

DLPLATE/WFR3456
3", 4", 5" 6" Mounting plate

DLPLATE/WFR4/NB/CL
4" Mounting plate with collar

DLPLATE/WFR4
4" Mounting plate

EXTCBL-FA-6
6' Extension cable

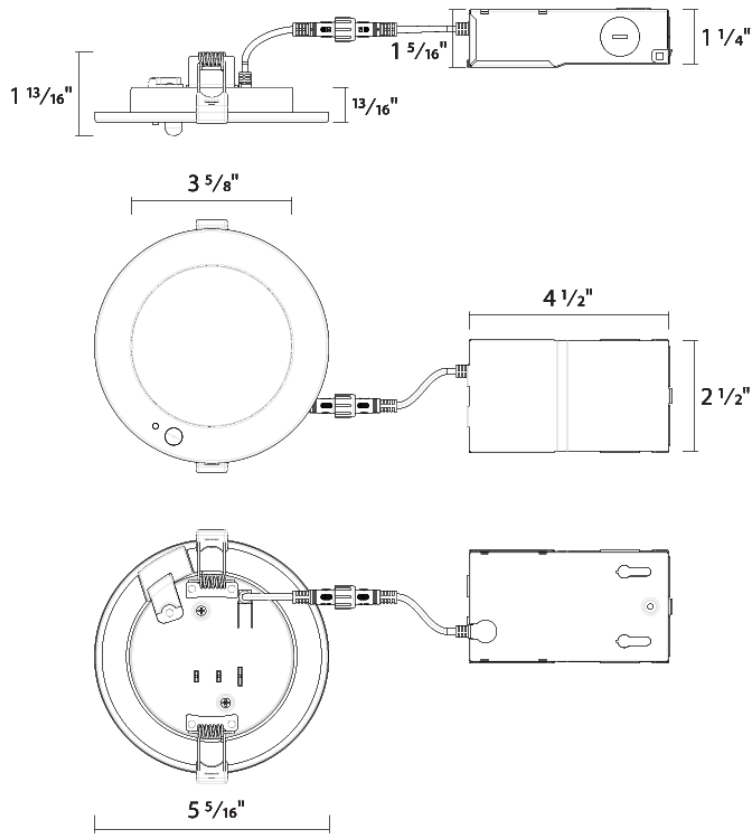
EXTCBL-FA-12
12' Extension cable

EXTCBL-FA-20
20' Extension cable

5-Year, No-Compromise Warranty:

RAB warrants that our LED products will be free from defects in materials and workmanship for a period of five (5) years from the date of delivery to the end user, including coverage of light output, color stability, driver performance and fixture finish. RAB's warranty is subject to all terms and conditions found at rablighting.com/warranty.

Dimensions



Ordering Matrix

Family	Size/Wattage	Shape	CRI/Color Temp	Driver	Finish	Trim	Controls
WFR	4	R					/PIR
	4 = 4", 9W 6 = 6", 13W	R = Round	Blank = 90 CRI, CCT Adjustable	Blank = 120-277V	Blank = White	Blank = Smooth	/PIR = Passive Infrared Occupancy Sensor + Photocell