



Project:	Type:
Prepared By:	Date:

Driver Info		LED Info	
Type	Constant Current	Watts	13W
120V	0.13A	Color Temp	2700/3000/3500/4000/5000K
208V	N/A	Color Accuracy	90 CRI
240V	N/A	L70 Lifespan	30,000 Hours
277V	N/A	Lumens	865-990 lm
Input Watts	12.5-12.8W	Efficacy	67.9-78.6 lm/W

Technical Specifications

Performance

Product Type:
Round, Edge-Lit Wafer

Description:

Bulk packaged contractor friendly, 4" and 6" wafers with selectable wattage and CCT that boast 90 CRI. Designed for 120V use and TRIAC/ELV dimming. Available with smooth or baffle trim

Wattage Equivalency:

75W Incandescent

Input Wattage:

13W

Lumens:

900lm

Efficacy:

69lm/W

L70 Lifespan:

30,000-hour LED lifespan based on IES LM-70 results

Electrical

Driver:

Constant Current @ 120V, 60 Hz: 118mA

THD:

<20%

Power Factor:

0.9

Dimmable:

Yes, dimmable down to 10% on compatible TRIAC/ELV dimming systems. See Dimmer Compatibility List.

Input Voltage:

120V

Operating Frequency:

60 Hz

Operating Temperature:

-4°F to 104°F (-20°C to 40°C)

Flicker:

<30%

LED Characteristics

Beam Angle:

110°±10°

Color Temperature:

Field adjustable via dip switch
2700/3000/3500/4000/5000K

Color Accuracy (CRI):

90 CRI

Natural Spectrum:

No

R9 Value:

High color performance with R9 greater than 50

Color Consistency:

<5-step (2700K &5000K);<7-step (3000/3500/4000K) MacAdam Ellipse binning to achieve consistent fixture-to-fixture color

Installation

Remote Driver/Junction Box:

Aluminum driver / junction box with captive hinged junction box cover. Listed for (6) #12 AWG 90°C splice conductors, 2-in, 2-out plus (2) ground. Integral keyhole mounting slots facilitate direct mounting to building structure or new construction mounting frame.

Mounting:

Utilizes a remote driver with built-in junction box and quick disconnect; Eliminates the need for traditional downlight housings.

Construction

Size:

6"

Technical Specifications (continued)**Shape:**

Round

Finish:

White

Enclosure Material:

Plastic + Metal

Trim Style:

Baffle

Lens Finish:

Frosted

Lens:

Polycarbonate light diffuser distributes light evenly and smoothly for general lighting applications

Compliance**Listings:**

UL Listed

Environment:

Suitable for use indoors and outdoors in dry, damp, or wet environments.

IC Rated:

Suitable for direct contact with insulation.

Type IC inherently protected, suitable for direct contact to air permeable insulation and cULus listed for damp locations. Not for use in direct contact with spray foam insulation, consult NEMA LSD57-2013.

Air Tight:

No

Energy Star Approved:

No

Certification Model Number:

DLW0149(WFR34-6B)

California Title 20 Compliant:

No

California Title 24 JA8 Compliant:

Can be used to conform with the requirements of California Title 24 Part 6.

California Energy Commission (CEC) Status:

Lawful for Sales in California

NEC Compliant:

Suitable for use in closets. Compliant with NEC Sec. 410.16 (A)(1) and 410.16 (C3).

IESNA LM-79 & LM-80 Testing:

RAB LED luminaires and LED components have been tested by an independent laboratory in accordance with IESNA LM-79 and LM-80.

RoHS:

Mercury and UV free. RoHS-compliant components.

FCC:

Complies with Part 15 of the FCC Rules

Trade Agreements Act Compliant:

This product is a product of Cambodia and a "designated country" end product that complies with the Trade Agreements Act

Other**Compatible Accessories:**

WFRL-GOOF-6R-8R-W

6"-8" Goof ring round

WFRL-TRIM-6R-BS

6" Color trim round black smooth

WFRL-TRIM-6R-BRS

6" Color trim round bronze smooth

WFRL-TRIM-6R-BNS

6" Color trim round brushed nickel smooth

DLPLATE/WFR3468/NB

3", 4", 6", 8" Mounting plate w/nailer bar

DLPLATE/WFR3456

3", 4", 5", 6" Mounting plate

DLPLATE/WFR6/NB/CL

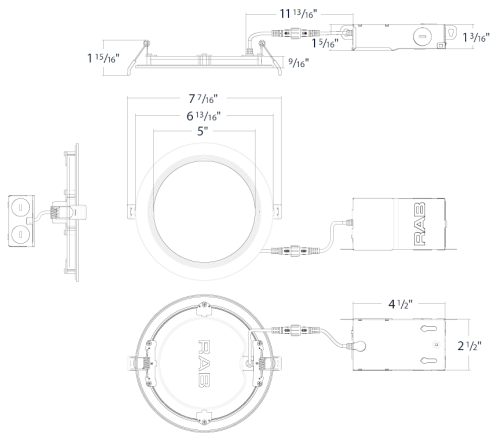
6" Mounting plate w/nailer bar and drywall collar

DLPLATE/WFR6

6" Mounting plate

3-Year Limited Warranty:The RAB 3-year, limited warranty covers light output, driver performance and paint finish. RAB's warranty is subject to all terms and conditions found at rablighting.com/warranty

Dimensions



Features

- Slim can-less LED recessed downlights designed for easy installation into new construction or remodel applications.
- Five selectable color temperatures in each fixture. (2700-3000-3500-4000-5000K)
- No housing required and includes pre-wired junction box. IC and Air-Tight rated.
- Available in smooth & baffle trims, wet location rated, and CEC Title 24 compliant
- Available in Single Packs and Contractor 12PK Bulk Pack

Ordering Matrix

Family	Size/Wattage	Shape	CRI/Color Temp	Driver	Finish	Trim	Options
WF34	6					B	/BP
	4 = 4", 9W 6 = 6", 13W	Blank = Round	Blank = 90 CRI, 2700/3000/3500/4000/5000K CCT Adjustable	Blank = 120V, TRIAC/ELV	Blank = White	Blank = Smooth B = Baffle	/BP = Bulk 12-pack