



Color: Black

Weight: 0.2 lbs

<b>Project:</b>	<b>Type:</b>
<b>Prepared By:</b>	<b>Date:</b>

Driver Info		LED Info	
Type	Constant Current, Class 2	Watts	8W
120V	0.08A	Color Temp	2700/3000/3500/4000/5000K
208V	N/A	Color Accuracy	90 CRI
240V	N/A	L70 Lifespan	50,000 Hours
277V	N/A	Lumens	800 lm
Input Watts	8W	Efficacy	100

**Technical Specifications**

**Performance**

**Product Type:**  
Retrofit Wafer

**Description:**  
Looks like a wafer-style downlight from below the ceiling but installs into existing recessed housings.

**Wattage Equivalency:**  
40W Incandescent

**Input Wattage:**  
8W

**Lumens (Nominal):**  
800lm

**Efficacy:**  
100lm/W

**L70 Lifespan:**  
50,000-Hour LED lifespan based on IES LM-70 results

**Electrical**

**Driver:**  
Constant Current 120V 60Hz; 120V: 75mA

**Power Factor:**  
≥0.9

**Dimmable:**

Yes, dimmable down to 10% on compatible TRIAC/ELV dimming systems. See Dimmer Compatibility List.

**Operating Temperature:**  
-4°F to 104°F (-20 to 40°C)

**Flicker:**  
≤30%

**LED Characteristics**

**Beam Angle:**  
110°±10°

**Color Temperature:**  
Default: 3000K

Field adjustable via dip switch  
2700/3000/3500/4000K

**Color Accuracy (CRI):**  
90 CRI

**R9 Value:**  
High color performance with R9 greater than 50

**Color Consistency:**  
<4-step MacAdam Ellipse binning to achieve consistent fixture-to-fixture color

**Installation**

**Mounting:**  
Recessed, housing required

**Base Type:**  
E26 Edison base adapter included

**Construction**

**Size:**  
4"

**Shape:**  
Round

**Finish:**  
Black

**Enclosure Material:**  
Plastic

**Trim Style:**  
Smooth

**Lens Finish:**  
Frosted

**Lens:**  
Polycarbonate light diffuser distributes light evenly and smoothly for general lighting applications

## Technical Specifications (continued)

### Compliance

---

**Listings:**

UL Listed, UL Classified, UL Recognized

**Environment:**

Suitable for use indoors and outdoors in dry, damp, or wet environments.

**Air Tight:**

Housing certified Air Tight as per ASTM E279

**Energy Star Approved:**

This product is ENERGY STAR<sup>®</sup> Certified.

**Certification Model Number:**

DLW0141(WFRETRO34-4-B)

**California Title 20 Compliant:**

Can be used to conform with the requirements of California Title 20

**California Title 24 JA8 Compliant:**

Can be used to conform with the requirements of California Title 24 Part 6.

**California Energy Commission (CEC) Status:**

Lawful for Sales in California

**NEC Compliant:**

Suitable for use in closets. Compliant with NEC Sec. 410.16 (A)(1) and 410.16 (C3).

**IESNA LM-79 & LM-80 Testing:**

RAB LED luminaires and LED components have been tested by an independent laboratory in accordance with IESNA LM-79 and LM-80.

**RoHS:**

Mercury and UV free. RoHS-compliant components.

**FCC:**

Complies with Part 15 of the FCC Rules

**Trade Agreements Act Compliant:**

This product is a product of Cambodia and a "designated country" end product that complies with the Trade Agreements Act

**Other**

---

**Compatible Accessories:**

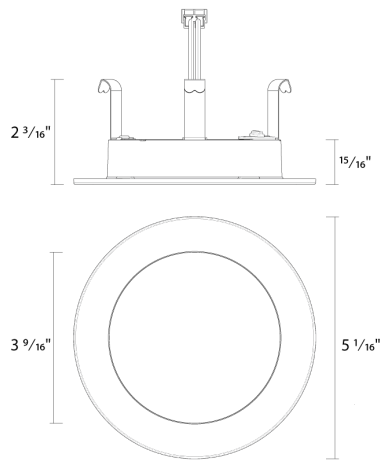
NDCANIC6R

NDCANIC4R

**5-Year Limited Warranty:**

The RAB 5-year, limited warranty covers light output, driver performance and paint finish. RAB's warranty is subject to all terms and conditions found at [rablighting.com/warranty](http://rablighting.com/warranty).

## Dimensions



## Features

- Flush lens retrofit downlight that looks like a wafer from below the ceiling
- Adjustable color temperature 2700/3000/3500/4000/5000K
- Flush or step baffle lens
- Mounts inside standard 4" or 6" recessed downlight housings
- Air Tight, Wet Location, and 5 year warranty

## Ordering Matrix

Family	Size/Wattage	Shape	CRI/Color Temp	Trim	Finish	Driver
WFRETRO34	4				B	
	4 = 4", 8W 6 = 6", 11W	R = Round	Blank = 90 CRI, 2700/3000/3500/4000/5000K CCT Adjustable	Blank = Smooth B = Baffle	Blank = White B = Black	Blank = 120V, TRIAC/ELV