



Color: White

Weight: 0.4 lbs

Project:	Type:
Prepared By:	Date:

Driver Info		LED Info	
Type	Constant Current, Class 2	Watts	11W
120V	0.11A	Color Temp	2700/3000/3500/4000/5000K
208V	N/A	Color Accuracy	90 CRI
240V	N/A	L70 Lifespan	50,000 Hours
277V	N/A	Lumens	1,100 lm
Input Watts	11W	Efficacy	100

Technical Specifications

Performance

Product Type:
Retrofit Wafer

Description:

Looks like a wafer-style downlight from below the ceiling but installs into existing recessed housings.

Wattage Equivalency:
60W Incandescent

Input Wattage:
11W

Lumens (Nominal):
1,100lm

Efficacy:
100lm/W

L70 Lifespan:
50,000-Hour LED lifespan based on IES LM-70 results

Electrical

Driver:
Constant Current 120V 60Hz; 120V: 105mA

Power Factor:
≥0.9

Dimmable:

Yes, dimmable down to 10% on compatible TRIAC/ELV dimming systems. See Dimmer Compatibility List.

Operating Temperature:
-4°F to 104°F (-20 to 40°C)

Flicker:
≤30%

LED Characteristics

Beam Angle:
110°±10°

Color Temperature:
Default: 3000K

Field adjustable via dip switch
2700/3000/3500/4000K

Color Accuracy (CRI):
90 CRI

R9 Value:
High color performance with R9 greater than 50

Color Consistency:
<4-step MacAdam Ellipse binning to achieve consistent fixture-to-fixture color

Installation

Mounting:
Recessed, housing required

Base Type:
E26 Edison base adapter included

Construction

Size:
6"

Shape:
Round

Finish:
White

Enclosure Material:
Plastic

Trim Style:
Baffle

Lens Finish:
Frosted

Lens:
Polycarbonate light diffuser distributes light evenly and smoothly for general lighting applications

Technical Specifications (continued)

Compliance

Listings:

UL Listed, UL Classified, UL Recognized

Environment:

Suitable for use indoors and outdoors in dry, damp, or wet environments.

Air Tight:

Housing certified Air Tight as per ASTM E279

Energy Star Approved:

This product is ENERGY STAR[®] Certified.

Certification Model Number:

DLW0159(WFRETRO34-6B)

California Title 20 Compliant:

Can be used to conform with the requirements of California Title 20

California Title 24 JA8 Compliant:

Can be used to conform with the requirements of California Title 24 Part 6.

California Energy Commission (CEC) Status:

Lawful for Sales in California

NEC Compliant:

Suitable for use in closets. Compliant with NEC Sec. 410.16 (A)(1) and 410.16 (C3).

IESNA LM-79 & LM-80 Testing:

RAB LED luminaires and LED components have been tested by an independent laboratory in accordance with IESNA LM-79 and LM-80.

RoHS:

Mercury and UV free. RoHS-compliant components.

FCC:

Complies with Part 15 of the FCC Rules

Trade Agreements Act Compliant:

This product is a product of Cambodia and a "designated country" end product that complies with the Trade Agreements Act

Other

Compatible Accessories:

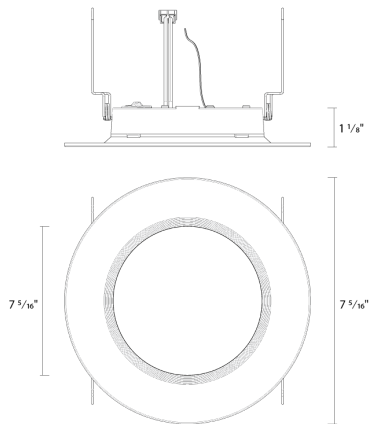
NDCANIC6R

NDCANIC4R

5-Year Limited Warranty:

The RAB 5-year, limited warranty covers light output, driver performance and paint finish. RAB's warranty is subject to all terms and conditions found at rablighting.com/warranty.

Dimensions



Features

- Flush lens retrofit downlight that looks like a wafer from below the ceiling
- Adjustable color temperature 2700/3000/3500/4000/5000K
- Flush or step baffle lens
- Mounts inside standard 4" or 6" recessed downlight housings
- Air Tight, Wet Location, and 5 year warranty

Ordering Matrix

Family	Size/Wattage	Shape	CRI/Color Temp	Trim	Finish	Driver
WFRETRO34	6			B		
	4 = 4", 8W 6 = 6", 11W	R = Round	Blank = 90 CRI, 2700/3000/3500/4000/5000K CCT Adjustable	Blank = Smooth B = Baffle	Blank = White B = Black	Blank = 120V, TRIAC/ELV