



Color: Black

Weight: 0.0 lbs

Project:

Type:

Prepared By:

Date:

## Technical Specifications

### Performance

#### Product Type:

Wafer Trim

#### Description:

Mounting plates, extension cables, color trims and goof rings for canless downlights.

### Installation

#### Mounting:

Snap on

### Construction

#### Size:

3"

#### Shape:

Round

#### Finish:

Black

#### Housing Material:

Metal

#### Trim Style:

Smooth

### Compliance

#### Listings:

None

#### Environment:

Suitable for use in dry and damp environments for indoor and outdoor applications.

Not suitable for applications with direct sunlight.

#### California Title 20 Compliant:

No

#### California Title 24 JA8 Compliant:

No

#### California Energy Commission (CEC) Status:

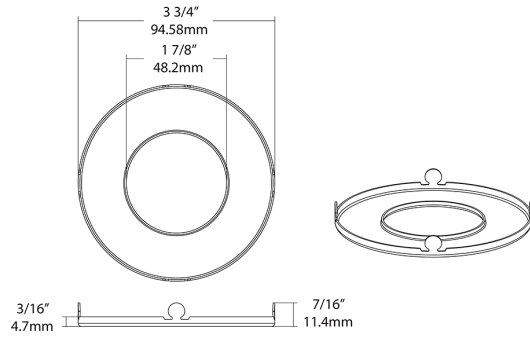
Lawful for Sales in California

### Other

#### Compatible Products:

See Downlight Accessory Compatibility List for a complete listing of compatible products.

## Dimensions



## Features

Trims for Edge-Lit Wafer