

Color: Brushed nickel

Weight: 0.0 lbs

<b>Project:</b>	<b>Type:</b>
<b>Prepared By:</b>	<b>Date:</b>

**Technical Specifications**

**Performance**

**Product Type:**

Wafer Trim

**Description:**

Mounting plates, extension cables, color trims and goof rings for canless downlights.

**Installation**

**Mounting:**

Snap on

**Construction**

**Size:**

4"

**Shape:**

Round

**Finish:**

Brushed Nickel

**Housing Material:**

Metal

**Trim Style:**

Smooth

**Compliance**

**Listings:**

None

**Environment:**

Suitable for use in dry and damp environments for indoor and outdoor applications.  
Not suitable for applications with direct sunlight.

**California Title 20 Compliant:**

No

**California Title 24 JA8 Compliant:**

No

**California Energy Commission (CEC) Status:**

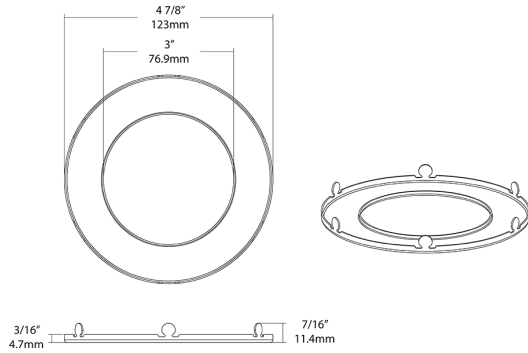
Lawful for Sales in California

**Other**

**Compatible Products:**

See Downlight Accessory Compatibility List for a complete listing of compatible products.

## Dimensions



## Features

Trims for Edge-Lit Wafer