



Color: Black

Weight: 1.0 lbs

Project:	Type:
Prepared By:	Date:

Driver Info		LED Info	
Type	Constant Current	Watts	13W
120V	0.13A	Color Temp	2700/3000/3500/4000/5000K
208V	N/A	Color Accuracy	90 CRI
240V	N/A	L70 Lifespan	50,000 Hours
277V	N/A	Lumens	1,100 lm
Input Watts	13W	Efficacy	93

Technical Specifications

Performance

Product Type:
Round, Edge-Lit Wafer

Description:
Round, edge-lit wafers with a slim form factor and selectable color temperatures. Available in 3", 4", 5", 6", and 8" models with either smooth or baffle trim, all with 90 CRI and TRIAC/ELV dimming.

Wattage Equivalency:
75W Incandescent

Input Wattage:
13W

Lumens (Nominal):
1,100lm

Lumens (Measured):
1,064lm @ 2700K; 1,099lm @ 3000K; 1,154lm @ 3500K; 1,181lm @ 4000K; 1,182lm @ 5000K

Efficacy:
93lm/W

L70 Lifespan:
50,000-Hour LED lifespan based on IES LM-70 results

Electrical

Driver:
Constant Current, Class 2 60 Hz; 120V: 130mA

THD:
≤20%

Power Factor:
≥0.9

Dimmable:
Yes, dimmable down to 10% on compatible TRIAC/ELV dimming systems. See Dimmer Compatibility List.

Input Voltage:
120V

Operating Frequency:
60 Hz

Operating Temperature:
-4°F to 104°F (-20°C to 40°C)

LED Characteristics

Beam Angle:
110°±10°

Color Temperature:
Field adjustable via dip switch
2700/3000/3500/4000/5000K

Color Accuracy (CRI):
>90 CRI

R9 Value:
High color performance with R9 greater than 50

Color Consistency:
<4-step (2700K & 5000K) MacAdam Ellipse binning to achieve consistent fixture-to-fixture color

Color Stability:
LED color temperature is warranted to Shift no more than 200K in color temperature over a 5-year period

Color Uniformity:
RAB's range of Correlated Color Temperature follows the guidelines of the American National Standard for Specifications for the Chromaticity of Solid State Lighting (SSL) Products, ANSI C78.377-2017.

Installation

Remote Driver/Junction Box:
Die-formed metal driver / junction box with captive hinged junction box cover. Listed for maximum of (4) 12AWG through branch circuit conductor suitable for 90° C permitted in box. Easy to wire in 2in/2out (plus ground) applications. (4) conduit pry-outs. (3) quick snap-in connectors for quick and reliable line voltage connections. Integral mounting facilitates direct mounting to building structure or mounting frame.

Technical Specifications (continued)

Mounting:

Recessed, no housing required

Construction

Size:

6"

Shape:

Round

Finish:

Black

Enclosure Material:

Metal+Plastic

Trim Style:

Smooth

Lens Finish:

Frosted

Lens:

Polycarbonate light diffuser distributes light evenly and smoothly for general lighting applications

Compliance

Listings:

UL Listed

Environment:

Suitable for use indoors and outdoors in dry, damp, or wet environments.

IC Rated:

Suitable for direct contact with insulation. Type IC inherently protected, suitable for direct contact to air permeable insulation and cULus listed for damp locations. Not for use in direct contact with spray foam insulation, consult NEMA LSD57-2013.

Air Tight:

Housing certified Air Tight as per ASTM-E283

Energy Star Approved:

This product is ENERGY STAR® Certified.

DLC Listed:

This product family is listed with the DesignLights Consortium (DLC). Individual SKUs within this family may carry either a DLC Standard or DLC Premium qualification. Please refer to the individual product specification sheet or the DLC Qualified Products List (QPL) at designlights.org to confirm the qualification status of a specific SKU prior to specification or purchase.

Certification Model Number:

DLW0130(WFRL6R139FA120WSB)

California Title 20 Compliant:

Can be used to conform with the requirements of California Title 20

California Title 24 JA8 Compliant:

Can be used to conform with the requirements of California Title 24 Part 6.

California Energy Commission (CEC) Status:

Lawful for Sales in California

NEC Compliant:

Suitable for use in closets. Compliant with NEC Sec. 410.16 (A)(1) and 410.16 (C3).

IESNA LM-79 & LM-80 Testing:

RAB LED luminaires and LED components have been tested by an independent laboratory in accordance with IESNA LM-79 and LM-80.

RoHS:

Mercury and UV free. RoHS-compliant components.

FCC:

Complies with Part 15 of the FCC Rules

Other

Compatible Products:

WFRL-GOOF-6R-8R-W
6"-8" Goof ring round white

WFRL-TRIM-6R-BS
6" Color trim round smooth black

WFRL-TRIM-6R-BRS
6" Color trim round smooth bronze

WFRL-TRIM-6R-BNS
6" Color trim round smooth brushed nickel

DLPLATE/WFR3468/NB
Mounting plate for 3", 4", 6", 8" with nailer bar

DLPLATE/WFR3456
Mounting plate for 3", 4", 5", 6" with nailer bar

DLPLATE/WFR6/NB/CL
Mounting plate for 6" with nailer bar and drywall collar

DLPLATE/WFR6
Mounting plate for 6" wafer

EXTCBL-FA-6
6' Extension cable

EXTCBL-FA-12
12' Extension cable

EXTCBL-FA-20
20' Extension cable

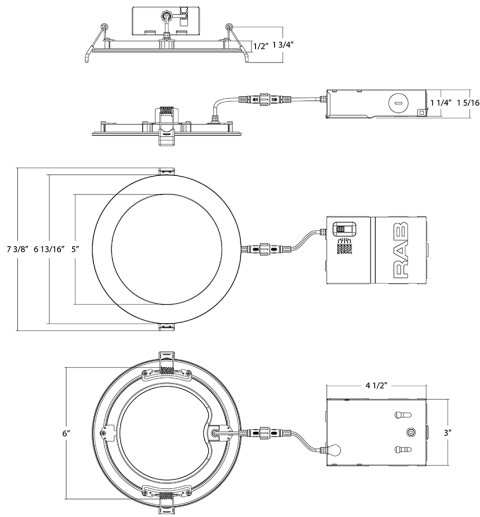
DRI-25-EMGR-DC
Emergency driver 100-277V 25W

DRI-21-EMGR-DC-D10
Emergency driver 100-277V 21W 0-10V T20

5-Year, No-Compromise Warranty:

RAB warrants that our LED products will be free from defects in materials and workmanship for a period of five (5) years from the date of delivery to the end user, including coverage of light output, color stability, driver performance and fixture finish. RAB's warranty is subject to all terms and conditions found at rablighting.com/warranty.

Dimensions



Features

- 5 color temperatures in 1 SKU (2700K, 3000K, 3500K, 4000K, 5000K)
- Super slim edge-lit fixture for thin fixture depth
- No recessed housing or J-box required
- New construction or retrofit applications
- UL wet location rated
- Smooth diffused uniform light distribution
- Dimmable down to 10% on compatible dimmers
- Spring loaded retention clips
- Robust, die cast aluminum construction
- IC and airtight rated
- 5-Year, No-Compromise Warranty

Ordering Matrix

Family	Size	Shape	Wattage	CRI/Color Temp	Driver	Finish	Trim	Depth
WFRL	6	R	13	9FA	120	B	S	
	4 = 4"	R = Round	14 = 14W	9FA = 90 CRI, 2700/3000/3500/4000/5000K CCT	120 = 120V	W = White	B = Baffle	Blank = Standard
	5 = 5"	S = Square	23 = 23W	Adjustable	D = 120V/277V	B = Black	S = Smooth	S = Shallow
	6 = 6"		13 = 13W	9CCT = 90 CRI, 2700/3000/3500/4000/5000K CCT				
	8 = 8"		12 = 12W	Adjustable				
	3 = 3"		10.5 = 10.5W					
			9 = 9W					
			6 = 6W					