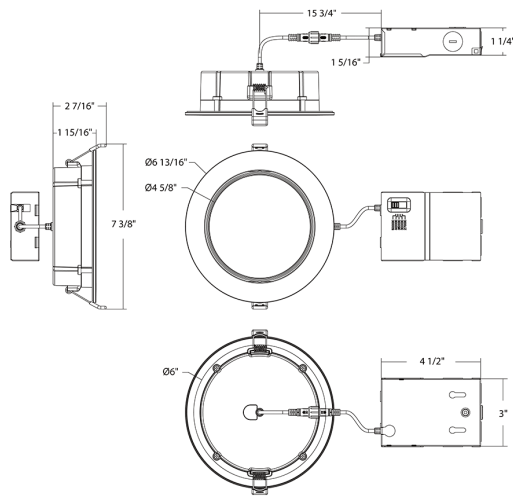


Technical Specifications (continued)

Compatible Accessories:
 DRI-EMB-15S-LV
 2-n-1 Driver + Battery Backup

Dimensions



Features

- Shallow baffle trim provides extremely thin depth for shallow ceiling installation
- Flexible 360° rotation and 25° tilt for any direction illumination
- 5 color temperatures in 1 SKU (2700K, 3000K, 3500K, 4000K, 5000K)
- No recessed housing or J-box required
- IC and airtight rated

Ordering Matrix

Family	Size	Shape	Wattage	CRI/Color Temp	Driver	Finish	Trim
WFRLA	6	R	12	9FA	120	W	S
	4 = 4" 6 = 6"	R = Round	12 = 12W 8 = 8W	9FA = 90 CRI, CCT Adjustable	120 = 120V	W = White	S = Smooth