



Color: Bronze

Weight: 6.6 lbs

<b>Project:</b>	<b>Type:</b>
<b>Prepared By:</b>	<b>Date:</b>

Driver Info		LED Info	
Type	Constant Current	Watts	29/20/15W
120V	0.24A/0.17A/0.13A	Color Temp	3000/4000/5000K
208V	0.14A/0.10A/0.07A	Color Accuracy	82-84 CRI
240V	0.13A/0.09A/0.07A	L70 Lifespan	100,000 Hours
277V	0.11A/0.08A/0.06A	Lumens	2,115-4,283 lm
Input Watts	15-29.7W	Efficacy	135.3-148.3 lm/W

**Technical Specifications**

**Field Adjustability**

**Field Adjustable:**

Field Adjustable Light Output:  
29W/20W/15W (factory default 29W)  
Color temperature (selectable by 3000K, 4000K and 5000K)

**Compliance**

**UL Listed:**

Suitable for wet locations

**IESNA LM-79 & LM-80 Testing:**

RAB LED luminaires and LED components have been tested by an independent laboratory in accordance with IESNA LM-79 and LM-80.

**IP Rating:**

Ingress protection rating of IP65 for dust and water

**Performance**

**Lifespan:**

100,000-Hour LED lifespan based on IESIm-80 results and TM-21 calculations

**Wattage Equivalency:**

29W: 125W Metal Halide  
20W: 100W Metal Halide  
15W: 70W Metal Halide

**LED Characteristics**

**LEDs:**

Long-life, high-efficiency, surface-mount LEDs

**Electrical**

**Driver:**

29W: Constant Current, Class 1, 120-277V, 50/60 Hz, 120V: 0.24A, 208V: 0.14A, 240V: 0.13A, 277V: 0.11A  
20W: Constant Current, Class 1, 120-277V, 50/60 Hz, 120V: 0.17A, 208V: 0.10A, 240V: 0.09A, 277V: 0.08A  
15W: Constant Current, Class 1, 120-277V, 50/60 Hz, 120V: 0.13A, 208V: 0.07A, 240V: 0.07A, 277V: 0.06A

**Dimming Driver:**

Driver includes dimming control wiring for 0-10V dimming systems. Requires separate 0-10V DC dimming circuit. Dims down to 10%.

**THD:**

12.2% at 120V, 13% at 277V

**Power Factor:**

98.9% at 120V, 93% at 277V

**Photocell:**

120-277V selectable photocell that can be turned on and off.

**Construction**

**Cold Weather Starting:**

The minimum starting temperature is -40°F (-40°C)

**Ambient Temperature :**

Max Power Temp Rating: 122°F ( 50°C)  
Middle Power Temp Rating: 53°C (128°F)  
Low Power Temp Rating: 54°C (128°F)

**Housing:**

Die-cast aluminum

**Lens:**

Tempered glass

**Finish:**

Formulated for high durability and long-lasting color

**Green Technology:**

Mercury and UV free. RoHS-compliant components.

**Installation**

**Mounting:**

Wall mount

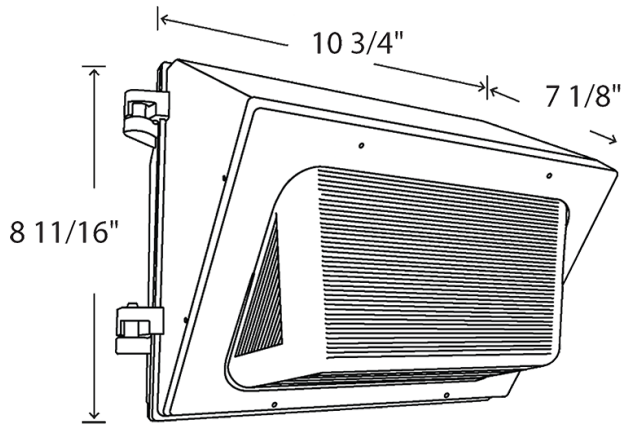
**Technical Specifications (continued)**

**Other**

**5-Year Limited Warranty:**

The RAB 5-year, limited warranty covers light output, driver performance and paint finish. RAB's warranty is subject to all terms and conditions found at [rablighting.com/warranty](http://rablighting.com/warranty).

**Dimensions**



**Features**

- IP65 Rated
- 100,000-Hour LED lifespan
- 5-Year, limited warranty

**Ordering Matrix**

Family	Wattage	Color Temp	Finish	Driver	Options
WP1XFU	29				
	29 = 29/20/15W	Blank = 3000/4000/5000K	Blank = Bronze	Blank = 120-277V, 0-10V Dimming	Blank = Selectable Photocell /LC = Lightcloud /LCB = Lightcloud Blue /LCBS = Lightcloud Blue w/PIR Sensor /LCBS/MVS = Lightcloud Blue w/MVS Sensor