



Color: Bronze

Weight: 11.5 lbs

Project:	Type:
Prepared By:	Date:

Driver Info		LED Info	
Type	Constant Current	Watts	150/130/100W
120V	1.19A/1.04A/0.80A	Color Temp	3000/4000/5000K
208V	0.69A/0.60A/0.46A	Color Accuracy	81-84 CRI
240V	0.63A/0.55A/0.42A	L70 Lifespan	100,000 Hours
277V	0.55A/0.47A/0.36A	Lumens	13,254-21,552 lm
Input Watts	94.6-148.3W	Efficacy	132.5-151.1 lm/W

Technical Specifications

Field Adjustability

Field Adjustable:

Field Adjustable Light Output:
150W/130W/100W (factory default 150W)
Color temperature (selectable by 3000K, 4000K and 5000K)

Compliance

UL Listed:

Suitable for wet locations

IESNA LM-79 & LM-80 Testing:

RAB LED luminaires and LED components have been tested by an independent laboratory in accordance with IESNA LM-79 and LM-80.

IP Rating:

Ingress protection rating of IP65 for dust and water

Performance

Lifespan:

100,000-Hour LED lifespan based on IESIm-80 results and TM-21 calculations

Wattage Equivalency:

150W: 750W Metal Halide
130W: 400W Metal Halide
100W: 400W Metal Halide

LED Characteristics

LEDs:

Long-life, high-efficiency, surface-mount LEDs

Electrical

Driver:

150W: Constant Current, Class 1, 120-277V, 50/60 Hz, 120V: 1.19A, 208V: 0.69A, 240V: 0.63A, 277V: 0.55A
130W: Constant Current, Class 1, 120-277V, 50/60 Hz, 120V: 1.04A, 208V: 0.60A, 240V: 0.55A, 277V: 0.47A
100W: Constant Current, Class 1, 120-277V, 50/60 Hz, 120V: 0.80A, 208V: 0.46A, 240V: 0.42A, 277V: 0.36A

Dimming Driver:

Driver includes dimming control wiring for 0-10V dimming systems. Requires separate 0-10V DC dimming circuit. Dims down to 10%.

THD:

5.56% at 120V, 8.93% at 277V

Power Factor:

99% at 120V, 94% at 277V

Photocell:

120-277V selectable photocell that can be turned on and off.

Surge Protection:

L-N: 6 kV, L&N-E:6 kV

Construction

Cold Weather Starting:

The minimum starting temperature is -40°F (-40°C)

Ambient Temperature :

Max Power Temp Rating: 122°F (50°C)
Middle Power Temp Rating: 57°C (134°F)
Low Power Temp Rating: 63°C (146°F)

Housing:

Die-cast aluminum

Lens:

Tempered glass

Finish:

Formulated for high durability and long-lasting color

Green Technology:

Mercury and UV free. RoHS-compliant components.

Installation

Mounting:

Wall mount

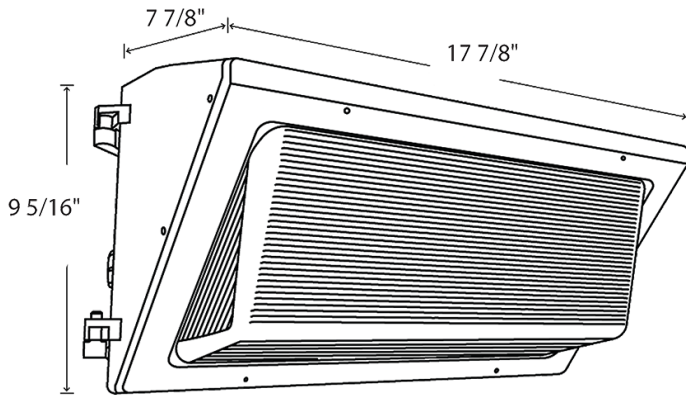
Technical Specifications (continued)

Other

5-Year Limited Warranty:

The RAB 5-year, limited warranty covers light output, driver performance and paint finish. RAB's warranty is subject to all terms and conditions found at rablighting.com/warranty.

Dimensions



Features

- IP65 Rated
- 100,000-Hour LED lifespan
- 5-Year, limited warranty

Ordering Matrix

Family	Wattage	Color Temp	Finish	Driver	Options
WP3XFU	150				
	50 = 50/40/30W 120 = 120/100/80W 150 = 150/130/100W	Blank = 3000/4000/5000K	Blank = Bronze	Blank = 120-277V, 0-10V Dimming	Blank = Selectable Photocell /LC = Lightcloud /LCB = Lightcloud Blue /LCBS = Lightcloud Blue w/PIR Sensor /LCBS/MVS = Lightcloud Blue w/MVS Sensor