



Color: Bronze

Weight: 9.2 lbs

Project:	Type:
Prepared By:	Date:

Driver Info		LED Info	
Type	Constant	Watts	80/60/40W
120V	0.66A/0.48A/0.34A	Color Temp	3000/4000/5000K
208V	0.39A/0.29A/0.19A	Color Accuracy	82-84 CRI
240V	0.33A/0.25A/0.17A	L70 Lifespan	100,000 Hours
277V	0.30A/0.23A/0.16A	Lumens	5,789-11,353 lm
Input Watts	39.3-79.3W	Efficacy	134.1-152.6 lm/W

Technical Specifications

Field Adjustability

Field Adjustable:

Field Adjustable Light Output:
80W/60W/40W (factory default 80W)
Color temperature selectable 3000K, 4000K and 5000K (factory default 4000K)

Compliance

UL Listed:

Suitable for wet locations

IP Rating:

Ingress protection rating of IP65 for dust and water

DLC Listed:

This product family is listed with the DesignLights Consortium (DLC). Individual SKUs within this family may carry either a DLC Standard or DLC Premium qualification. Please refer to the individual product specification sheet or the DLC Qualified Products List (QPL) at designlights.org to confirm the qualification status of a specific SKU prior to specification or purchase.

Electrical

Driver:

Constant Current, Class 2, 120-277V, 50/60 Hz
80W: 120V: 0.66A 208V: 0.39A, 240V: 0.33A, 277V: 0.30A
60W: 120V: 0.48A 208V: 0.29A, 240V: 0.25A, 277V: 0.23A
40W: 120V: 0.34A 208V: 0.19A, 240V: 0.17A, 277V: 0.16A

Dimming Driver:

Driver includes dimming control wiring for 0-10V dimming systems. Requires separate 0-10V DC dimming circuit. Dims down to 10%.

THD:

80W: 2.48% at 120V, 3.66% at 277V
60W: 2.03% at 120V, 12.03% at 277V
40W: 1.97% at 120V, 2.96% at 277V

Power Factor:

80W: 99.7% at 120V, 95% at 277V
60W: 99.6% at 120V, 91% at 277V
40W: 99.2% at 120V, 84.8% at 277V

Photocell:

Integrated photocell included with on/off switch

Surge Protection:

4 kV

Performance

Lifespan:

100,000-Hour LED lifespan based on IESlm-80 results and TM-21 calculations

Wattage Equivalency:

80W: Replaces up to 350W Metal Halide (MH) or 250W High Pressure Sodium (HPS)
60W: Replaces up to 250W Metal Halide (MH) or 200W High Pressure Sodium (HPS)
40W: Replaces up to 175W Metal Halide (MH) or 150W High Pressure Sodium (HPS)

LED Characteristics

LEDs:

Long-life, high-efficacy, surface-mount LEDs

Color Uniformity:

RAB's range of Correlated Color Temperature follows the guidelines of the American National Standard for Specifications for the Chromaticity of Solid State Lighting (SSL) Products, ANSI C78.377-2017.

Construction

Housing:

Aluminum alloy

Lens:

Prismatic, heat-resistant borosilicate glass

Technical Specifications (continued)

Reflector:

Aluminum

Gaskets:

High-temperature silicone

Cold Weather Starting:

The minimum starting temperature is -40°F (-40°C)

Maximum Ambient Temperature:

Suitable for use in up to 104°F (40°C)

Green Technology:

Mercury and UV free. RoHS-compliant components.

Finish:

Formulated for high durability and long-lasting color

Installation

Mounting:

Hinged wiring access and conduit entries on the back sides, top and bottom make installation a snap

Sensor Settings

Microwave Motion Sensor:

Microwave based technology occupancy sensor that automatically affect the operation of lighting equipment based upon detecting the presence or absence of people in a space.

Factory Settings:

Brightness: 100%

Hold Time: 20 Minutes

Daylight: Disabled

Sensitivity: 100%

Stand-by dimming level: 20%

Stand-by time: 1 Minute

Remote Control:

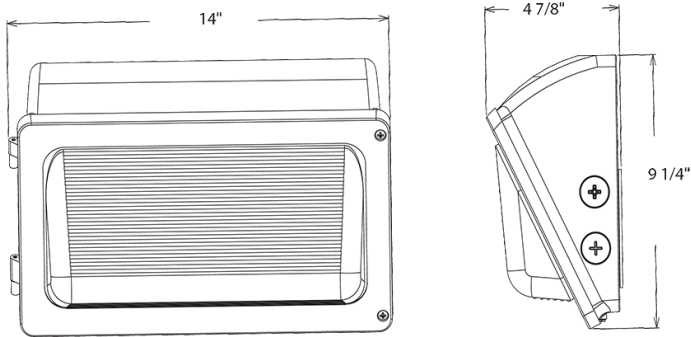
Adjust settings using remote control (catalog# MSR1). Only available with 0-10V dimming driver options. [Remote control available here.](#)

Other

10-Year, No-Compromise Warranty:

RAB warrants that our LED products will be free from defects in materials and workmanship for a period of ten (10) years from the date of delivery to the end user, including coverage of light output, color stability, driver performance and fixture finish. RAB's warranty is subject to all terms and conditions found at rablighting.com/warranty.

Dimensions



Features

- 100,000-Hour LED lifespan
- 0-10V dimming standard
- 10-Year, no-compromise warranty

Ordering Matrix

Family	Wattage	Color Temp	Finish	Driver	Options
WPX	2				/MVS
	1 = 30/20/15W 2 = 80/60/40W 3 = 130/100/65W	Blank = 3000/4000/5000K Adjustable	Blank = Bronze W = White	Blank = 120-277V, 0-10V Dimming /480 = 480V, 0-10V Dimming	Blank = Selectable On/Off Photocell /MVS = Microwave Motion Sensor /LC = Lightcloud /LCB = Lightcloud Blue /LCBS/MVS = Lightcloud Blue w/MVS Sensor /E = Battery Backup ² /MVS/E = Microwave Motion Sensor w/Battery Backup ² /LC/E = Lightcloud w/Battery Backup ²

¹ 480V available only in WPX2 and WPX3 models

² Battery backup available only for WPX2 and WPX3 in 120-277V models