



<b>Project:</b>	<b>Type:</b>
<b>Prepared By:</b>	<b>Date:</b>

Driver Info		LED Info	
Type	Constant Current	Watts	140W
120V	1.13A/0.82A/0.58A	Color Temp	3000/4000/5000K
208V	0.65A/0.47A/0.34A	Color Accuracy	81-83 CRI
240V	0.57A/0.41A/0.29A	L70 Lifespan	100,000 Hours
277V	0.49A/0.35A/0.25A	Lumens	11,345-21,118 lm
Input Watts	69.87-141.98W	Efficacy	142.9-166.5 lm/W

## Technical Specifications

### Field Adjustability

#### 3-Way Field Adjustable:

Field Adjustable Light Output:  
140/100/70W (factory default 140W)  
Color temperature (selectable by 3000K, 4000K and 5000K)

### Compliance

#### UL Listed:

Suitable for wet locations

#### IESNA LM-79 & LM-80 Testing:

RAB LED luminaires and LED components have been tested by an independent laboratory in accordance with IESNA LM-79 and LM-80.

#### IP Rating:

Ingress protection rating of IP65 for dust and water

#### DLC Listed:

This product family is listed with the DesignLights Consortium (DLC). Individual SKUs within this family may carry either a DLC Standard or DLC Premium qualification. Please refer to the individual product specification sheet or the DLC Qualified Products List (QPL) at [designlights.org](http://designlights.org) to confirm the qualification status of a specific SKU prior to specification or purchase.

### Electrical

#### Driver:

140W: Constant Current, Class 1, 120-277V, 50/60Hz,  
120V: 1.13A, 208V: 0.65A, 240V: 0.57A, 277V: 0.49A  
100W: Constant Current, Class 1, 120-277V, 50/60Hz,  
120V: 0.82A, 208V: 0.47A, 240V: 0.41A, 277V: 0.35A  
70W: Constant Current, Class 1, 120-277V, 50/60Hz,  
120V: 0.58A, 208V: 0.34A, 240V: 0.29A, 277V: 0.25A

#### Dimming Driver:

Driver includes wiring for 0-10V dimming systems.  
Dim as low as 10%.

#### THD:

9.36% at 120V, 10.36% at 277V

#### Power Factor:

99.8% at 120V, 94% at 277V

#### Photocell:

120-277V selectable photocell that can be turned on and off.

#### Surge Protection:

CM: 6 kV

DM: 4 kV

#### Shorting Cap:

Shorting Cap included for Twistlock Receptacle

### LED Characteristics

#### LEDs:

Long-life, high-efficacy, surface-mount LEDs

#### Color Uniformity:

RAB's range of Correlated Color Temperature follows the guidelines of the American National Standard for Specifications for the Chromaticity of Solid State Lighting (SSL) Products, ANSI C78.377-2017.

### Construction

#### Cold Weather Starting:

The minimum starting temperature is -40°F (-40°C)

#### Ambient Temperature :

Max Power Temp Rating: 104°F (40°C)  
Middle Power Temp Rating: 48°C (118°F)  
Low Power Temp Rating: 131°F (55°C)

#### Housing:

Precision die-cast aluminum

#### Lens:

Tempered glass

#### Reflector:

Polycarbonate

#### Tilt Increment:

Rotates in 30 degree increments

## Technical Specifications (continued)

### Effective Projected Area (EPA):

EPA = 1.35

### Finish:

Formulated for high durability and long-lasting color

### Green Technology:

Mercury and UV free. RoHS-compliant components.

### Optical

#### NEMA Type:

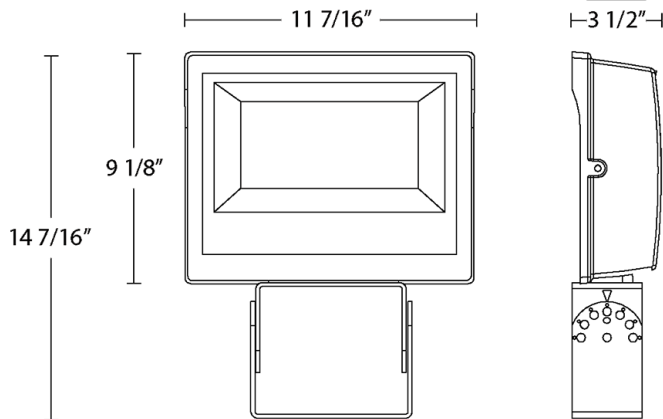
NEMA Beam Spread 7H x 7V

### Other

#### 5-Year Limited Warranty:

The RAB 5-year, limited warranty covers light output, driver performance and paint finish. RAB's warranty is subject to all terms and conditions found at [rablighting.com/warranty](http://rablighting.com/warranty).

## Dimensions



## Features

- 3-Way field adjustability
- 0-10V Dimming, standard
- 100,000-hour LED lifespan
- 5-Year, limited warranty

## Ordering Matrix

Family	Wattage	Field Adjustability	Color Temp	Mounting	Finish	Driver	Options
X17	XFU	140		T	W		
	60 = 60/50/30W 80 = 80/60/40W 35 = 35/25/15W 330 = 330/250/170W 205 = 205/150/100W 140 = 140/100/70W 105 = 105/75/50W	XFU = 3-Way Field Adjustable	Blank = 3000/4000/5000K Adjustable	T = Trunnion SF = Slipfitter Blank = Knuckle	W = White Blank = Bronze	Blank = 120-277V /480 = 480V	Blank = Selectable photocell