



Color: Bronze

Weight: 10.0 lbs

Project:

Type:

Prepared By:

Date:

Driver Info

Type	Constant Current
120V	N/A
208V	N/A
240V	N/A
277V	N/A
Input Watts	68.56-142.28W

LED Info

Watts	140W
Color Temp	3000/4000/5000K
Color Accuracy	82-83 CRI
L70 Lifespan	100,000 Hours
Lumens	11,323-21,264 lm
Efficacy	141.7-166.3 lm/W

Technical Specifications

Field Adjustability

3-Way Field Adjustable:

Field Adjustable Light Output:
140/100/70W (factory default 140W)
Color temperature (selectable by 3000K, 4000K and 5000K)

Compliance

UL Listed:

Suitable for wet locations

IESNA LM-79 & LM-80 Testing:

RAB LED luminaires and LED components have been tested by an independent laboratory in accordance with IESNA LM-79 and LM-80.

IP Rating:

Ingress protection rating of IP65 for dust and water

DLC Listed:

This product family is listed with the DesignLights Consortium (DLC). Individual SKUs within this family may carry either a DLC Standard or DLC Premium qualification. Please refer to the individual product specification sheet or the DLC Qualified Products List (QPL) at designlights.org to confirm the qualification status of a specific SKU prior to specification or purchase.

Electrical

Driver:

140W: Constant Current, Class 1, 120-277V, 50/60Hz,
120V: 1.13A, 208V: 0.65A, 240V: 0.57A, 277V: 0.49A
100W: Constant Current, Class 1, 120-277V, 50/60Hz,
120V: 0.82A, 208V: 0.47A, 240V: 0.41A, 277V: 0.35A
70W: Constant Current, Class 1, 120-277V, 50/60Hz,
120V: 0.58A, 208V: 0.34A, 240V: 0.29A, 277V: 0.25A

Dimming Driver:

Driver includes wiring for 0-10V dimming systems.
Dim as low as 10%.

THD:

5.75% at 480V

Power Factor:

96.4% at 480V

Photocell:

480V selectable photocell that can be turned on and off.

Surge Protection:

CM: 6 kV

DM: 4 kV

Shorting Cap:

Shorting Cap included for Twistlock Receptacle

LED Characteristics

LEDs:

Long-life, high-efficacy, surface-mount LEDs

Color Uniformity:

RAB's range of Correlated Color Temperature follows the guidelines of the American National Standard for Specifications for the Chromaticity of Solid State Lighting (SSL) Products, ANSI C78.377-2017.

Construction

Cold Weather Starting:

The minimum starting temperature is -40°F (-40°C)

Ambient Temperature :

Max Power Temp Rating: 104°F (40°C)

Middle Power Temp Rating: 48°C (118°F)

Low Power Temp Rating: 131°F (55°C)

Housing:

Precision die-cast aluminum

Lens:

Tempered glass

Reflector:

Polycarbonate

Tilt Increment:

Rotates in 30 degree increments

Technical Specifications (continued)

Effective Projected Area (EPA):

EPA = 1.35

Finish:

Formulated for high durability and long-lasting color

Green Technology:

Mercury and UV free. RoHS-compliant components.

Optical

NEMA Type:

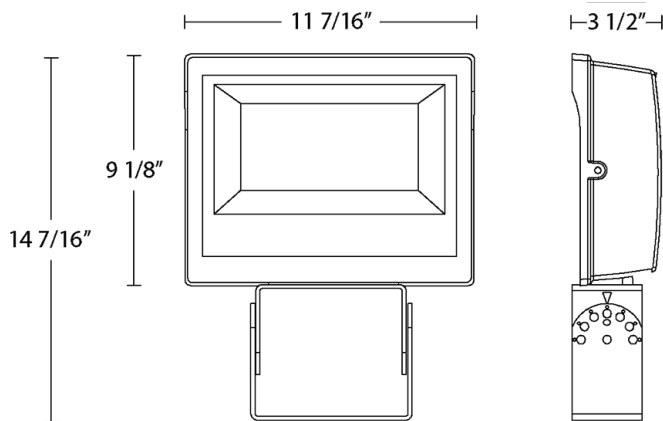
NEMA Beam Spread 7H x 7V

Other

5-Year Limited Warranty:

The RAB 5-year, limited warranty covers light output, driver performance and paint finish. RAB's warranty is subject to all terms and conditions found at rablighting.com/warranty.

Dimensions



Features

- 3-Way field adjustability
- 0-10V Dimming, standard
- 100,000-hour LED lifespan
- 5-Year, limited warranty

Ordering Matrix

Family	Wattage	Field Adjustability	Color Temp	Mounting	Finish	Driver	Options
X17	XFU	140		T		/480	
	60 = 60/50/30W 80 = 80/60/40W 35 = 35/25/15W 330 = 330/250/170W 205 = 205/150/100W 140 = 140/100/70W 105 = 105/75/50W	XFU = 3-Way Field Adjustable	Blank = 3000/4000/5000K Adjustable	T = Trunnion SF = Slipfitter Blank = Knuckle	W = White Blank = Bronze	Blank = 120-277V /480 = 480V	Blank = Selectable photocell