



Color: Bronze

Weight: 20.6 lbs

<b>Project:</b>	<b>Type:</b>
<b>Prepared By:</b>	<b>Date:</b>

Driver Info		LED Info	
Type	Constant Current	Watts	330W
120V	2.63A/2.06A/1.45A	Color Temp	3000/4000/5000K
208V	1.52A/1.19A/0.83A	Color Accuracy	81-83 CRI
240V	1.32A/1.03A/0.72A	L70 Lifespan	100,000 Hours
277V	1.14A/0.89A/0.63A	Lumens	28,950-49,131 lm
Input Watts	173.61-328.73W	Efficacy	136.5-175.6 lm/W

## Technical Specifications

### Field Adjustability

#### 3-Way Field Adjustable:

Field Adjustable Light Output:  
330/250/175W (factory default 330W)  
Color temperature (selectable by 3000K, 4000K and 5000K)

### Compliance

#### UL Listed:

Suitable for wet locations

#### IESNA LM-79 & LM-80 Testing:

RAB LED luminaires and LED components have been tested by an independent laboratory in accordance with IESNA LM-79 and LM-80.

#### IP Rating:

Ingress protection rating of IP65 for dust and water

#### DLC Listed:

This product family is listed with the DesignLights Consortium (DLC). Individual SKUs within this family may carry either a DLC Standard or DLC Premium qualification. Please refer to the individual product specification sheet or the DLC Qualified Products List (QPL) at [designlights.org](http://designlights.org) to confirm the qualification status of a specific SKU prior to specification or purchase.

### Electrical

#### Driver:

330W: Constant Current, Class 1, 120-277V, 50/60Hz,  
120V: 2.63A, 208V: 1.52A, 240V: 1.32A, 277V: 1.14A  
250W: Constant Current, Class 1, 120-277V, 50/60Hz,  
120V: 2.06A, 208V: 1.19A, 240V: 1.03A, 277V: 0.89A  
175W: Constant Current, Class 1, 120-277V, 50/60Hz,  
120V: 1.45A, 208V: 0.83A, 240V: 0.72A, 277V: 0.63A

#### Dimming Driver:

Driver includes wiring for 0-10V dimming systems.  
Dim as low as 10%.

#### THD:

7.62% at 120V, 8.96% at 277V

#### Power Factor:

99.9% at 120V, 95.5% at 277V

#### Photocell:

120-277V Twistlock photocell included. Photocell is compatible with 120-277V.

#### Surge Protection:

CM: 10 kV

DM: 6 kV

#### Shorting Cap:

Shorting Cap included for Twistlock Receptacle

### LED Characteristics

#### LEDs:

Long-life, high-efficacy, surface-mount LEDs

#### Color Uniformity:

RAB's range of Correlated Color Temperature follows the guidelines of the American National Standard for Specifications for the Chromaticity of Solid State Lighting (SSL) Products, ANSI C78.377-2017.

### Construction

#### Cold Weather Starting:

The minimum starting temperature is -40°F (-40°C)

#### Ambient Temperature :

Max Power Temp Rating: 104°F (40°C)

Middle Power Temp Rating: 47°C (116°F)

Low Power Temp Rating: 53°C (128°F)

#### Housing:

Precision die-cast aluminum

#### Lens:

Tempered glass

#### Reflector:

Polycarbonate

#### Tilt Increment:

Rotates in 30 degree increments

## Technical Specifications (continued)

### Effective Projected Area (EPA):

EPA = 1.7

### Finish:

Formulated for high durability and long-lasting color

### Green Technology:

Mercury and UV free. RoHS-compliant components.

### Optical

#### NEMA Type:

NEMA Beam Spread 7H x 6V

### Other

#### 5-Year Limited Warranty:

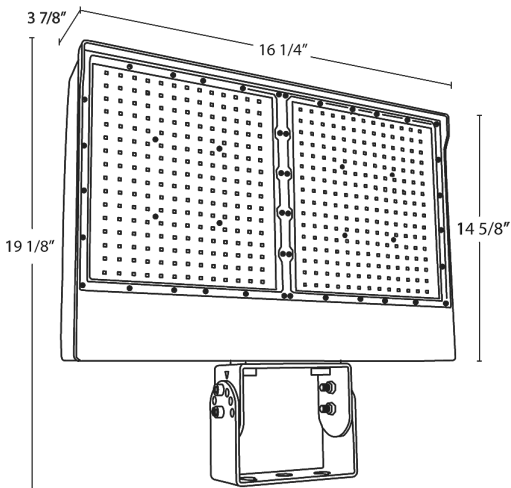
The RAB 5-year, limited warranty covers light output, driver performance and paint finish. RAB's warranty is subject to all terms and conditions found at [rablighting.com/warranty](http://rablighting.com/warranty).

### Performance

#### Wattage Equivalency:

Equivalent to 1,000W Metal Halide

## Dimensions



## Features

- 3-Way field adjustability
- 0-10V Dimming, standard
- 100,000-hour LED lifespan
- 5-Year, limited warranty

## Ordering Matrix

Family	Wattage	Field Adjustability	Color Temp	Mounting	Finish	Driver	Options
X17	XFU	330		T			/PCT
	60 = 60/50/30W 80 = 80/60/40W 35 = 35/25/15W 330 = 330/250/170W 205 = 205/150/100W 140 = 140/100/70W 105 = 105/75/50W	XFU = 3-Way Field Adjustable	Blank = 3000/4000/5000K Adjustable	T = Trunnion SF = Slipfitter Blank = Knuckle	W = White Blank = Bronze	Blank = 120-277V /480 = 480V	Blank = Selectable photocell