

|                     |              |
|---------------------|--------------|
| <b>Project:</b>     | <b>Type:</b> |
| <b>Prepared By:</b> | <b>Date:</b> |

| Driver Info |                   | LED Info       |                  |
|-------------|-------------------|----------------|------------------|
| Type        | Constant Current  | Watts          | 80W              |
| 120V        | 0.67A/0.50A/0.33A | Color Temp     | 3000/4000/5000K  |
| 208V        | 0.38A/0.29A/0.19A | Color Accuracy | 81-83 CRI        |
| 240V        | 0.33A/0.25A/0.16A | L70 Lifespan   | 100,000 Hours    |
| 277V        | 0.29A/0.22A/0.14A | Lumens         | 6,342-12,215 lm  |
| Input Watts | 39.07-81.36W      | Efficacy       | 141.2-163.9 lm/W |

## Technical Specifications

### Field Adjustability

#### 3-Way Field Adjustable:

Field Adjustable Light Output:  
80/60/40W (factory default 80W)  
Color temperature (selectable by 3000K, 4000K and 5000K)

### Compliance

#### UL Listed:

Suitable for wet locations

#### IESNA LM-79 & LM-80 Testing:

RAB LED luminaires and LED components have been tested by an independent laboratory in accordance with IESNA LM-79 and LM-80.

#### IP Rating:

Ingress protection rating of IP65 for dust and water

#### DLC Listed:

This product family is listed with the DesignLights Consortium (DLC). Individual SKUs within this family may carry either a DLC Standard or DLC Premium qualification. Please refer to the individual product specification sheet or the DLC Qualified Products List (QPL) at [designlights.org](http://designlights.org) to confirm the qualification status of a specific SKU prior to specification or purchase.

### Electrical

#### Driver:

80W: Constant Current, Class 1, 120-277V, 50/60Hz,  
120V: 0.67A, 208V: 0.38A, 240V: 0.33A, 277V: 0.29A  
60W: Constant Current, Class 1, 120-277V, 50/60Hz,  
120V: 0.50A, 208V: 0.29A, 240V: 0.25A, 277V: 0.22A  
40W: Constant Current, Class 1, 120-277V, 50/60Hz,  
120V: 0.33A, 208V: 0.19A, 240V: 0.16A, 277V: 0.14A

#### Dimming Driver:

Driver includes wiring for 0-10V dimming systems.  
Dim as low as 10%.

#### THD:

9.56% at 120V, 10.13% at 277V

#### Power Factor:

99.9% at 120V, 93% at 277V

#### Photocell:

120-277V selectable photocell that can be turned on and off.

#### Surge Protection:

6 kV

#### Shorting Cap:

Shorting Cap included for Twistlock Receptacle

### LED Characteristics

#### LEDs:

Long-life, high-efficacy, surface-mount LEDs

#### Color Uniformity:

RAB's range of Correlated Color Temperature follows the guidelines of the American National Standard for Specifications for the Chromaticity of Solid State Lighting (SSL) Products, ANSI C78.377-2017.

### Construction

#### Cold Weather Starting:

The minimum starting temperature is -40°F (-40°C)

#### Ambient Temperature :

Max Power Temp Rating: 104°F (40°C)  
Middle Power Temp Rating: 44°C (112°F)  
Low Power Temp Rating: 51°C (124°F)

#### Housing:

Precision die-cast aluminum

#### Effective Projected Area (EPA):

EPA = 0.79

#### Lens:

Tempered glass

#### Reflector:

Polycarbonate

## Technical Specifications (continued)

### Finish:

Formulated for high durability and long-lasting color

### Green Technology:

Mercury and UV free. RoHS-compliant components.

### Installation

#### Mounting:

Robust knuckle mount with 180° adjustable swivel arm. Tilt angle in 10° increments. Trunnion kit is included.

### Optical

#### NEMA Type:

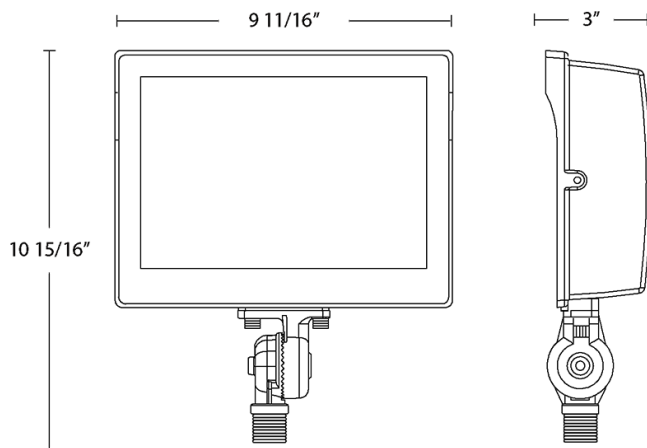
NEMA Beam Spread 7H x 7V

### Other

#### 5-Year Limited Warranty:

The RAB 5-year, limited warranty covers light output, driver performance and paint finish. RAB's warranty is subject to all terms and conditions found at [rablighting.com/warranty](http://rablighting.com/warranty).

## Dimensions



## Features

- 3-Way field adjustability
- 0-10V Dimming, standard
- 100,000-hour LED lifespan
- 5-Year, limited warranty

## Ordering Matrix

| Family | Wattage  | Field Adjustability                 | Color Temp                                | Mounting  | Finish                                    | Driver                                      | Options                             |
|--------|--|-------------------------------------|---|---|---|---|-------------------------------------|
| X17    | XFU  | 80                                  |   |   | W   |   |                                     |
|        | <b>60</b> = 60/50/30W<br><b>80</b> = 80/60/40W<br><b>35</b> = 35/25/15W<br><b>330</b> = 330/250/170W<br><b>205</b> = 205/150/100W<br><b>140</b> = 140/100/70W<br><b>105</b> = 105/75/50W | <b>XFU</b> = 3-Way Field Adjustable | <b>Blank</b> = 3000/4000/5000K Adjustable | <b>T</b> = Trunnion<br><b>SF</b> = Slipfitter<br><b>Blank</b> = Knuckle | <b>W</b> = White<br><b>Blank</b> = Bronze | <b>Blank</b> = 120-277V / <b>480</b> = 480V | <b>Blank</b> = Selectable photocell |