



Color: Bronze

Weight: 25.0 lbs

Project:	Type:
Prepared By:	Date:

Driver Info		LED Info	
Type	Constant Current	Watts	350W
120V	2.92A/2.15A/1.42A	Color Temp	Field Adjustable 3000/4000/5000K
208V	1.68A/1.26A/0.85A	Color Accuracy	82-85 CRI
240V	1.46A/1.10A/0.73A	L70 Lifespan	50,000 Hours
277V	1.27A/0.97A/0.68A	Lumens	27,586-55,697 lm
Input Watts	163.5-349.5W	Efficacy	146.3-177.2 lm/W

Technical Specifications

Field Adjustability

Field Adjustable:

Field Adjustable Light Output:
350W at 50%/75%/100% Power Selectable (factory default 350W at 100%)
Color temperature (selectable by 3000K, 4000K and 5000K)

Compliance

UL Listed:

Suitable for wet locations

IESNA LM-79 & LM-80 Testing:

RAB LED luminaires and LED components have been tested by an independent laboratory in accordance with IESNA LM-79 and LM-80.

IP Rating:

Ingress protection rating of IP66 for dust and water

Trade Agreements Act Compliant:

This product is a product of Cambodia and a "designated country" end product that complies with the Trade Agreements Act

DLC Listed:

This product family is listed with the DesignLights Consortium (DLC). Individual SKUs within this family may carry either a DLC Standard or DLC Premium qualification. Please refer to the individual product specification sheet or the DLC Qualified Products List (QPL) at designlights.org to confirm the qualification status of a specific SKU prior to specification or purchase.

Electrical

Driver:

Constant Current, Class 1, 120-277V, 50/60Hz, 120V: 2.92A, 208V: 1.68A, 240V: 1.46A, 277V: 1.27A

Dimming Driver:

Driver includes dimming control wiring for 0-10V dimming systems. Requires separate 0-10V DC dimming circuit. Dims down to 10%.

THD:

7.08% at 120V, 7.36% at 277V

Power Factor:

99.7% at 120V, 95.5% at 277V

Surge Protection:

4 kV

Photocell:

Integrated photocell included with on/off switch

Optical

NEMA Type:

NEMA Beam Spread 7H x 7V

LED Characteristics

LEDs:

Long-life, high-efficacy, surface-mount LEDs

Color Consistency:

7-step MacAdam Ellipse binning to achieve consistent fixture-to-fixture color

Color Uniformity:

RAB's range of Correlated Color Temperature follows the guidelines of the American National Standard for Specifications for the Chromaticity of Solid State Lighting (SSL) Products, ANSI C78.377-2017.

Performance

Lifespan:

50,000-Hour LED lifespan based on IESIm-80 results and TM-21 calculations

Wattage Equivalency:

Equivalent to 1,500W Metal Halide

Technical Specifications (continued)

Construction

Cold Weather Starting:

The minimum starting temperature is -40°F (-40°C)

Ambient Temperature :

Max Power Temp Rating: 104°F (40°C)

Middle Power Temp Rating: 47°C (116°F)

Low Power Temp Rating: 55°C (130°F)

Housing:

Die-cast aluminum

Tilt Increment:

-90° to +90°

Lens:

Tempered glass

Reflector:

Polyethylene Terephthalate (PET)

Effective Projected Area (EPA):

EPA = 2.0

Finish:

Formulated for high durability and long-lasting color

Green Technology:

Mercury and UV free. RoHS-compliant components.

Installation

Mounting:

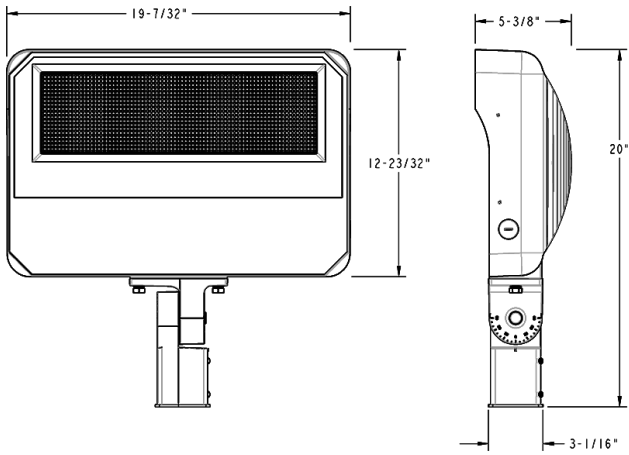
Slipfitter with tilt angle in 10° increments

Other

5-Year Limited Warranty:

The RAB 5-year, limited warranty covers light output, driver performance and paint finish. RAB's warranty is subject to all terms and conditions found at rablighting.com/warranty.

Dimensions



Features

- 50,000-Hour LED lifespan
- DLC Premium Listed
- 0-10V dimming, standard
- 5-Year, limited warranty