



<b>Project:</b>	<b>Type:</b>
<b>Prepared By:</b>	<b>Date:</b>

Driver Info		LED Info	
Type	Constant Current	Watts	35/25/20W
120V	0.30A/0.22A/0.18A	Color Temp	3000/4000/5000K
208V	N/A	Color Accuracy	81-84 CRI
240V	N/A	L70 Lifespan	100,000 Hours
277V	0.13A/0.10A/0.08A	Lumens	2,685-4,677 lm
Input Watts	19.6-33.6W	Efficacy	121.5-150.9 lm/W

**Technical Specifications**

**Field Adjustability**

**Field Adjustable:**

Field Adjustable Light Output:  
35W/25W/20W (factory default 35W)  
Color temperature selectable 3000K, 4000K and 5000K (factory default 4000K)

**Compliance**

**UL Listed:**

Suitable for wet locations. Suitable for mounting within 4 ft of the ground.

**IESNA LM-79 & LM-80 Testing:**

RAB LED luminaires and LED components have been tested by an independent laboratory in accordance with IESNA LM-79 and LM-80.

**IP Rating:**

Ingress protection rating of IP65 for dust and water

**Trade Agreements Act Compliant:**

This product is a product of Cambodia and a "designated country" end product that complies with the Trade Agreements Act

**DLC Listed:**

This product family is listed with the DesignLights Consortium (DLC). Individual SKUs within this family may carry either a DLC Standard or DLC Premium qualification. Please refer to the individual product specification sheet or the DLC Qualified Products List (QPL) at [designlights.org](http://designlights.org) to confirm the qualification status of a specific SKU prior to specification or purchase.

**Electrical**

**Driver:**

Constant Current, Class 1, 120/277V, 50/60 Hz  
35W: 120V: 0.30A, 277V: 0.13A  
25W: 120V: 0.22A, 277V: 0.10A  
20W: 120V: 0.18A, 277V: 0.08A

**THD:**

35W: 4.3% at 120V, 8.2% at 277V  
25W: 5.0% at 120V, 16.8% at 277V  
20W: 6.1% at 120V, 20.5% at 277V

**Power Factor:**

35W: 99.7% at 120V, 96.2% at 277V  
25W: 99.7% at 120V, 91.7% at 277V  
20W: 99.4% at 120V, 90.6% at 277V

**Surge Protection:**

2 kV

**Optical**

**NEMA Type:**

NEMA Beam Spread 7H x 7V

**LED Characteristics**

**LEDs:**

Long-life, high-efficacy, surface-mount LEDs

**Color Uniformity:**

RAB's range of Correlated Color Temperature follows the guidelines of the American National Standard for Specifications for the Chromaticity of Solid State Lighting (SSL) Products, ANSI C78.377-2017.

**Performance**

**Lifespan:**

100,000-Hour LED lifespan based on IESIm-80 results and TM-21 calculations

**Wattage Equivalency:**

35W: Replaces up to 150W Metal Halide (MH) or 100W High Pressure Sodium (HPS)  
25W: Replaces up to 100W Metal Halide (MH) or 70W High Pressure Sodium (HPS)  
20W: Replaces up to 100W Metal Halide (MH) or 70W High Pressure Sodium (HPS)

**Construction**

**Cold Weather Starting:**

The minimum starting temperature is -40°F (-40°C)

## Technical Specifications (continued)

### Maximum Ambient Temperature:

Suitable for use in up to 104°F (40°C)

### Housing:

Die-cast aluminum

### Lens:

Glass

### Reflector:

Polycarbonate

### Finish:

Formulated for high durability and long-lasting color

### Green Technology:

Mercury and UV free. RoHS-compliant components.

## Installation

### Mounting:

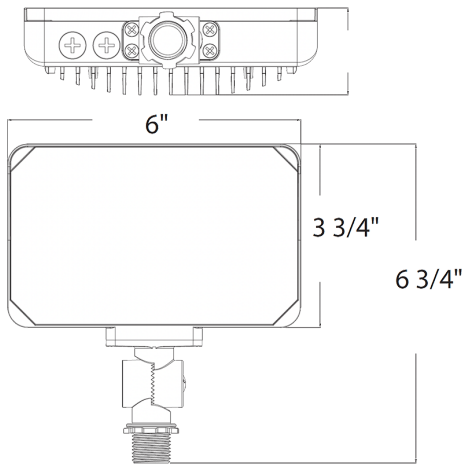
Knuckle arm mount

## Other

### 5-Year Limited Warranty:

The RAB 5-year, limited warranty covers light output, driver performance and paint finish. RAB's warranty is subject to all terms and conditions found at [rablighting.com/warranty](http://rablighting.com/warranty).

## Dimensions



## Features

100,000-Hour LED lifespan

IP65 Rated

5-Year, limited warranty

## Ordering Matrix

Family	Wattage	Mounting	Color Temp	Finish	Driver
X34	S			W	

**XS** = 16/13/10W  
**S** = 35/25/20W  
**M** = 65/55/45W

**Blank** = Knuckle

**Blank** = 3000/4000/5000K CCT Adjustable

**Blank** = Bronze  
**W** = White

**Blank** = 120V/277V