



Color: Bronze

Weight: 7.4 lbs

<b>Project:</b>	<b>Type:</b>
<b>Prepared By:</b>	<b>Date:</b>

Driver Info		LED Info	
Type	Constant Current	Watts	130/110/95W
120V	1.13A/0.98A/0.85A	Color Temp	3000/4000/5000K
208V	0.63A/0.53A/0.46A	Color Accuracy	83-85 CRI
240V	0.55A/0.46A/0.40A	L70 Lifespan	100,000 Hours
277V	0.49A/0.43A/0.38A	Lumens	14,615-20,065 lm
Input Watts	97.3-135.1W	Efficacy	135.3-162.5 lm/W

**Technical Specifications**

**Field Adjustability**

**Field Adjustable:**

Field Adjustable Light Output:  
130W/110W/95W (factory default 130W)  
Color temperature selectable 3000K, 4000K and 5000K (factory default 4000K)

**Compliance**

**UL Listed:**

Suitable for wet locations. Suitable for mounting within 4 ft of the ground.

**IESNA LM-79 & LM-80 Testing:**

RAB LED luminaires and LED components have been tested by an independent laboratory in accordance with IESNA LM-79 and LM-80.

**IP Rating:**

Ingress protection rating of IP65 for dust and water

**Trade Agreements Act Compliant:**

This product is a product of Cambodia and a "designated country" end product that complies with the Trade Agreements Act

**DLC Listed:**

This product family is listed with the DesignLights Consortium (DLC). Individual SKUs within this family may carry either a DLC Standard or DLC Premium qualification. Please refer to the individual product specification sheet or the DLC Qualified Products List (QPL) at [designlights.org](http://designlights.org) to confirm the qualification status of a specific SKU prior to specification or purchase.

**Electrical**

**Driver:**

Constant Current, Class 1, 120-277V, 50/60 Hz  
130W: 120V: 1.13A 208V: 0.63A, 240V: 0.55A, 277V: 0.49A  
110W: 120V: 0.98A 208V: 0.53A, 240V: 0.46A, 277V: 0.43A  
95W: 120V: 0.85A 208V: 0.46A, 240V: 0.40A, 277V: 0.38A

**Dimming Driver:**

Driver includes dimming control wiring for 0-10V dimming systems. Requires separate 0-10V DC dimming circuit. Dims down to 10%.

**THD:**

130W: 4.1% at 120V, 7.2% at 277V  
110W: 4.1% at 120V, 7.9% at 277V  
95W: 4.0% at 120V, 8.8% at 277V

**Power Factor:**

130W: 99.8% at 120V, 96% at 277V  
110W: 99.8% at 120V, 95.1% at 277V  
95W: 99.7% at 120V, 93.9% at 277V

**Photocell:**

Integrated photocell included with on/off switch

**Optical**

**NEMA Type:**

NEMA Beam Spread 7H x 7V

**LED Characteristics**

**LEDs:**

Long-life, high-efficacy, surface-mount LEDs

**Color Uniformity:**

RAB's range of Correlated Color Temperature follows the guidelines of the American National Standard for Specifications for the Chromaticity of Solid State Lighting (SSL) Products, ANSI C78.377-2017.

**Performance**

**Lifespan:**

100,000-Hour LED lifespan based on IESIm-80 results and TM-21 calculations

## Technical Specifications (continued)

### Wattage Equivalency:

130W: Replaces up to 750W Metal Halide (MH) or 400W High Pressure Sodium (HPS)  
110W: Replaces up to 400W Metal Halide (MH) or 400W High Pressure Sodium (HPS)  
95W: Replaces up to 400W Metal Halide (MH) or 310W High Pressure Sodium (HPS)

### Construction

---

#### Cold Weather Starting:

The minimum starting temperature is -40°F (-40°C)

#### Maximum Ambient Temperature:

Suitable for use in up to 104°F (40°C)

#### Housing:

Die-cast aluminum

#### Tilt Increment:

-90° to +90°

#### Lens:

Tempered glass

#### Reflector:

Polyethylene Terephthalate (PET)

#### Effective Projected Area (EPA):

EPA = 1.1

#### Finish:

Formulated for high durability and long-lasting color

#### Green Technology:

Mercury and UV free. RoHS-compliant components.

### Installation

---

#### Mounting:

Slipfitter with tilt angle in 10° increments

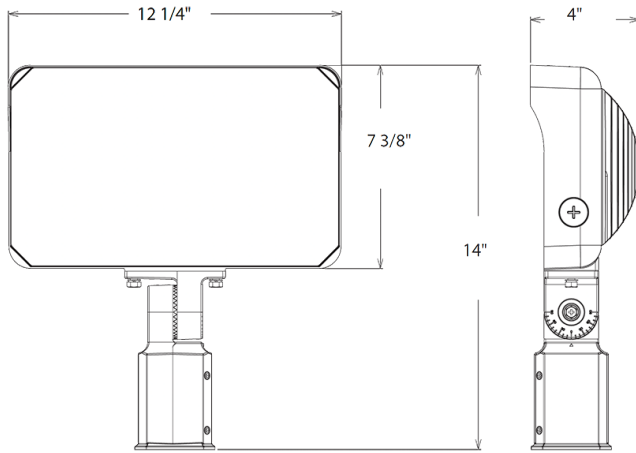
### Other

---

#### 5-Year Limited Warranty:

The RAB 5-year, limited warranty covers light output, driver performance and paint finish. RAB's warranty is subject to all terms and conditions found at [rablighting.com/warranty](http://rablighting.com/warranty).

## Dimensions



## Features

- 100,000-Hour LED lifespan
- IP65 Rated
- 5-Year, limited warranty

## Ordering Matrix

Family	Wattage	Mounting	Color Temp	Finish	Driver	Options
X34	XL					
	L = 90/80/70W XL = 130/110/95W XXL = 160/140/120W	Blank = Slipfitter T = Trunnion	Blank = 3000/4000/5000K CCT Adjustable	Blank = Bronze W = White	Blank = 120-277V, 0-10V Dimming	Blank = Selectable On/Off Photocell