



Color: Bronze

Weight: 0.8 lbs

Project:	Type:
Prepared By:	Date:

Driver Info		LED Info	
Type	Constant Current	Watts	16/13/10W
120V	0.14A/0.12A/0.08A	Color Temp	3000/4000/5000K
208V	N/A	Color Accuracy	81-84 CRI
240V	N/A	L70 Lifespan	100,000 Hours
277V	0.06A/0.05A/0.04A	Lumens	1,468-2,353 lm
Input Watts	10.4-16.4W	Efficacy	131-150.6 lm/W

Technical Specifications

Field Adjustability

Field Adjustable:

Field Adjustable Light Output:
16W/13W/10W (factory default 16W)
Color temperature selectable 3000K, 4000K and 5000K (factory default 4000K)

Compliance

UL Listed:

Suitable for wet locations. Suitable for mounting within 4 ft of the ground.

IESNA LM-79 & LM-80 Testing:

RAB LED luminaires and LED components have been tested by an independent laboratory in accordance with IESNA LM-79 and LM-80.

IP Rating:

Ingress protection rating of IP65 for dust and water

Trade Agreements Act Compliant:

This product is a product of Cambodia and a "designated country" end product that complies with the Trade Agreements Act

DLC Listed:

This product family is listed with the DesignLights Consortium (DLC). Individual SKUs within this family may carry either a DLC Standard or DLC Premium qualification. Please refer to the individual product specification sheet or the DLC Qualified Products List (QPL) at designlights.org to confirm the qualification status of a specific SKU prior to specification or purchase.

Electrical

Driver:

Constant Current, Class 1, 120/277V, 50/60 Hz
16W: 120V: 0.14A, 277V: 0.06A
13W: 120V: 0.12A, 277V: 0.05A
10W: 120V: 0.08A, 277V: 0.04A

THD:

16W: 14.3% at 120V, 16.2% at 277V
13W: 14.0% at 120V, 16.4% at 277V
10W: 14.6% at 120V, 14.8% at 277V

Power Factor:

16W: 98.2% at 120V, 92.9% at 277V
13W: 98.6% at 120V, 90.5% at 277V
10W: 98.3% at 120V, 87.8% at 277V

Surge Protection:

2 kV

Optical

NEMA Type:

NEMA Beam Spread 7H x 7V

LED Characteristics

LEDs:

Long-life, high-efficacy, surface-mount LEDs

Color Uniformity:

RAB's range of Correlated Color Temperature follows the guidelines of the American National Standard for Specifications for the Chromaticity of Solid State Lighting (SSL) Products, ANSI C78.377-2017.

Performance

Lifespan:

100,000-Hour LED lifespan based on IESIm-80 results and TM-21 calculations

Wattage Equivalency:

16W: Replaces up to 70W Metal Halide (MH) or 70W High Pressure Sodium (HPS)
13W: Replaces up to 70W Metal Halide (MH) or 50W High Pressure Sodium (HPS)
10W: Replaces up to 70W Metal Halide (MH) or 50W High Pressure Sodium (HPS)

Construction

Cold Weather Starting:

The minimum starting temperature is -40°F (-40°C)

Technical Specifications (continued)

Maximum Ambient Temperature:

Suitable for use in up to 104°F (40°C)

Housing:

Die-cast aluminum

Lens:

Glass

Reflector:

Polycarbonate

Finish:

Formulated for high durability and long-lasting color

Green Technology:

Mercury and UV free. RoHS-compliant components.

Installation

Mounting:

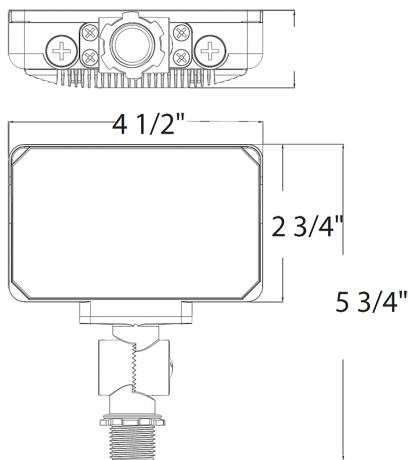
Knuckle arm mount

Other

5-Year Limited Warranty:

The RAB 5-year, limited warranty covers light output, driver performance and paint finish. RAB's warranty is subject to all terms and conditions found at rablighting.com/warranty.

Dimensions



Features

- 100,000-Hour LED lifespan
- IP65 Rated
- 5-Year, limited warranty

Ordering Matrix

Family	Wattage	Mounting	Color Temp	Finish	Driver
X34	XS				

XS = 16/13/10W
S = 35/25/20W
M = 65/55/45W

Blank = Knuckle

Blank = 3000/4000/5000K CCT Adjustable

Blank = Bronze
W = White

Blank = 120V/277V