



Project:	Type:
Prepared By:	Date:

Driver Info		LED Info	
Type	Constant	Watts	150/125/100/75W
120V	N/A	Color Temp	3000K/4000K/5000K
208V	N/A	Color	82-84 CRI
240V	N/A	Accuracy	
277V	N/A	L70 Lifespan	100,000 Hours
Input Watts	77.3-156.6W	Lumens	11517-23285 lm
		Efficacy	136.3-185.4 lm/W

Technical Specifications

Field Adjustability

Field Adjustable:

Field Adjustable Light Output:
150/125/100/75W (factory default 150W)
Color Temperature Adjustable:
3000K, 4000K and 5000K (factory default 4000K)
Optical Field Adjustable: 7H x 6V/6H x 6V/5Hx5V
(factory default 7Hx6V)
On/Off Photocell (factory default "On")

Compliance

UL Listed:

Suitable for wet locations

IESNA LM-79 & LM-80 Testing:

RAB LED luminaires and LED components have been tested by an independent laboratory in accordance with IESNA LM-79 and LM-80.

IP Rating:

Ingress protection rating of IP66 for dust and water

Electrical

Driver:

Constant Current, Class1, 480VV, 50/60 Hz:
150W: 480V: 0.32A
125W: 480V: 0.27A
100W: 480V: 0.21A
75W: 480V: 0.16A

Dimming Driver:

Driver includes dimming control wiring for 0-10V dimming systems. Requires separate 0-10V DC dimming circuit. Dims down to 10%.

THD:

14.46% at 480V

Power Factor:

95% at 480V

Surge Protection:

L-N: 6 kV
L/N-PE: 6 kV

Aux Power Supply:

Yes

Dim to Off:

Yes

Photocell:

Integrated photocell included with on/off switch

LED Characteristics

LEDs:

Long-life, high-efficacy, surface-mount LEDs

Color Uniformity:

RAB's range of Correlated Color Temperature follows the guidelines of the American National Standard for Specifications for the Chromaticity of Solid State Lighting (SSL) Products, ANSI C78.377-2017.

Color Consistency:

3000K & 5000K: 5-step MacAdam Ellipse binning to achieve consistent fixture-to-fixture color
4000K: 7-step MacAdam Ellipse binning to achieve consistent fixture-to-fixture color

Performance

Lifespan:

100,000-Hour LED lifespan based on IESIm-80 results and TM-21 calculations

Construction

IK Rating:

IK06 Protected against 1 joules of impact. Equivalent to the impact of a 0.55 lbs. (.25kg) mass dropped from 15.8" (400mm) above the impacted surface.

Cold Weather Starting:

The minimum starting temperature is -40°F (-40°C)

Maximum Ambient Temperature:

Suitable for use in up to 122°F (50°C)

Technical Specifications (continued)

Housing:

Die-cast aluminum

Lens:

Polycarbonate lens

Gaskets:

High-temperature silicone

Finish:

Formulated for high durability and long-lasting color

Green Technology:

Mercury and UV free. RoHS-compliant components.

Installation

Mounting:

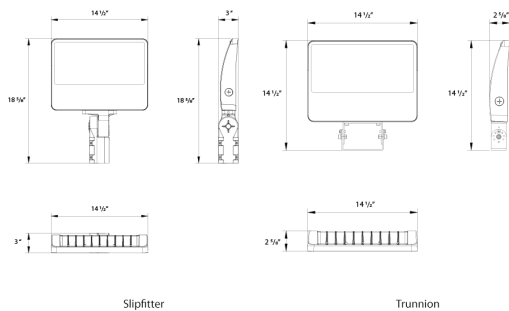
Slipfitter with tilt angle in 10° increments. Trunnion kit is included.

Other

5-Year Limited Warranty:

The RAB 5-year, limited warranty covers light output, driver performance and paint finish. RAB's warranty is subject to all terms and conditions found at rablighting.com/warranty.

Dimensions



Features

- IP66 Rated
- 100,000-Hour LED lifespan
- 3000/4000/5000K CCT Adjustable
- 55/75/90° Selectable Beam Angle
- 5-Year, limited warranty

Ordering Matrix

Family		Wattage	Color Temp	Mounting	Finish	Beam Angle	Driver	Controls
XL22	-	150		Blank	W		/480	
		35 = 35/30/25/20W 60 = 60/50/40/30W 80 = 80/70/60/50W 150 = 150/125/100/75W	Blank = 3000/4000/5000K CCT Adjustable	Blank = Knuckle Mount Installed with Yoke Kit Included Blank = Knuckle Mount Installed with Trunnion Kit Included Blank = Slipfitter Mount Installed with Trunnion Kit Included	Blank = Bronze W = White	Blank = Selectable Beam Angle (55/75/90°)	Blank = 120-277V /480 = 480V, 0-10V Dimming	Blank = Selectable On/Off Photocell