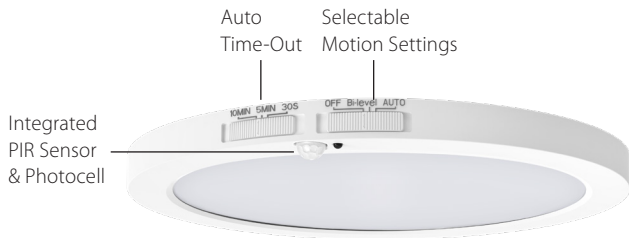


SUMO Surface Mount w/Adjustable Motion Sensor



Available in 5", 7", and 9"

5", 7", & 9" Slim Surface Mount Downlight, 5CCT Field-Adjustable, Adjustable Motion Settings and Time Out Settings



PROJECT: _____

DATE: _____

TYPE: _____

PREPARED BY: _____



KEY FEATURES

- 5 selectable color temperatures (2700/3000/3500/4000/5000K)
- Integrated PIR sensor with adjustable motion modes and hold times
- Integrated dusk-to-dawn photocell
- 120V, non-dimmable
- 50,000 hrs, Damp Rated, Energy Star, 5-year, No-Compromise Warranty
- Suitable for use in closets

PERFORMANCE

Catalog No.	Size	Trim Style	Wattage Equivalency	Input Wattage	Lumens (lm)	Efficacy (lm/W)	Input Voltage	Beam Angle	Color Temperature	CRI	L70 Lifespan	Environment	Energy Star ID
SUMO-R-5/PIR	5.5"	Smooth	40W Incandescent	10W	850	82	120V	110°	2700/3000/3500/4000/5000K Field adjustable via dip switch	90	50,000 hrs	Dry/Damp	TBA
SUMO-R-7/PIR	7"		60W Incandescent	14W	1150								
SUMO-R-9/PIR	9"		75W Incandescent	18W	1500								

SUMO-R-5/PIR	2700K	3000K	3500K	4000K	5000K
Wattage	10W	10W	10W	10W	10W
Lumens	863 lm	896 lm	947 lm	958 lm	938 lm
Efficacy	87.0 lm/W	90.1 lm/W	94.7 lm/W	95.8 lm/W	94.2 lm/W

SUMO-R-7/PIR	2700K	3000K	3500K	4000K	5000K
Input Wattage	14W	14W	14W	14W	14W
Lumens	1198 lm	1209 lm	1258 lm	1269 lm	1271 lm
Efficacy	92.1 lm/W	93.0 lm/W	96.0 lm/W	96.9 lm/W	97.8 lm/W

SUMO-R-9/PIR	2700K	3000K	3500K	4000K	5000K
Input Wattage	18W	18W	18W	18W	18W
Lumens	1573 lm	1594 lm	1637 lm	1638 lm	1626 lm
Efficacy	96.5 lm/W	97.8 lm/W	99.2 lm/W	99.9 lm/W	99.7 lm/W

TECHNICAL SPECIFICATIONS

CONSTRUCTION

Product Type

Slim style edge-lit surface mount downlight with integrated motion sensor

Size

5.5", 7", & 9"

Shape

Round

Trim Style

Smooth

Enclosure Material

Steel heatsink with robust thermal performance Polyester UV resistant trim

Finish

Matte White, fade & Scratch resistant

Lens

Polycarbonate light diffuser distributes light evenly and smoothly for general lighting applications

INSTALLATION

Mounting

Installs on standard junction boxes with included mounting bracket

ELECTRICAL

Dimmable

No

Driver

Constant Current 120V 60 Hz; 120V: 95 mA

Operating Temperature

-40°F to 122°F (-40°C to 50°C)

Power Factor

≥0.9

Flicker

≤30%

Beam Angle

110°

SENSOR SETTINGS

Sensor Connection Type

Integrated

Max Mounting Height

6 1/2 ft

Detection Range

13 ft diameter at 6 1/2 ft mounting height

Sensor Technology

Passive Infrared (PIR)

Adjustable Sensor Settings

Integrated dip switches to adjust Motion Modes and Hold Times

Motion Modes

Auto (default): Light OFF during the day, stays OFF at night, turns ON at 100% brightness when motion is detected and stays on until the specified hold time expires and the light turns OFF.

Bi-Level: Light OFF during the day, stays OFF at night, turns ON at 100% brightness when motion is detected and stays on until the specified hold time expires, light reduces to 50% brightness until the specified hold time expires and the light turns OFF.

Off: Motion detection is disabled.

Hold Times

30 seconds (default), 5 minutes, 10 minutes

Photocell

When the illuminance of natural light is lower than 65-75 lux, the light sensor will be turned off, and will trigger PIR sensor. When the natural light illuminance exceeds 75-85 lux, the light sensor will trigger and the fixture won't light up.

LED CHARACTERISTICS

Beam Angle

110°

Color Temperature

Default 3000K

Field adjustable via dip switch (2700/3000/3500/4000/5000K)

Color Accuracy (CRI)

90

R9 Value

High color performance with R9 greater than 50

Color Consistency

<4-step MacAdam Ellipse binning to achieve consistent fixture-to-fixture color

Color Stability

LED color temperature is warranted to shift no more than 200K in color temperature over a 5-year period

Color Uniformity

RAB's range of Correlated Color Temperature follows the guidelines of the American National Standard for Specifications for the Chromaticity of Solid State Lighting (SSL) Products, ANSI C78.377-2017.

COMPLIANCE

Listings

UL Listed

Environment

Suitable for use indoors in dry and damp environments

Energy Star Approved

This product is ENERGY STAR® Certified.

California Title 24 JA8 Compliant

Can be used to conform with the requirements of California Title 24 Part 6

California Energy Commission (CEC) Status

Lawful for Sales in California

NEC Compliant

Suitable for use in closets. Compliant with NEC Sec. 410.16 (A)(1) and 410.16 (C1).

IESNA LM-79 & LM80 Testing

RAB LED luminaires and LED components have been tested by an independent laboratory in accordance with IESNA LM-79 and LM-80

RoHS

Mercury and UV free. RoHS-compliant components

FCC

Complies with Part 15 of the FCC Rules

WARRANTY

RAB warrants that our LED products will be free from defects in materials and workmanship for a period of five (5) years from the date of delivery to the end user, including coverage of light output, color stability, driver performance and fixture finish. RAB's warranty is subject to all terms and conditions found at rablighting.com/warranty.

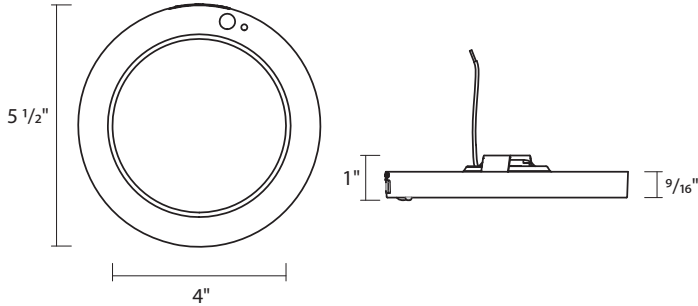
SUMO Surface Mount w/Adjustable Motion Sensor



DIMENSIONS

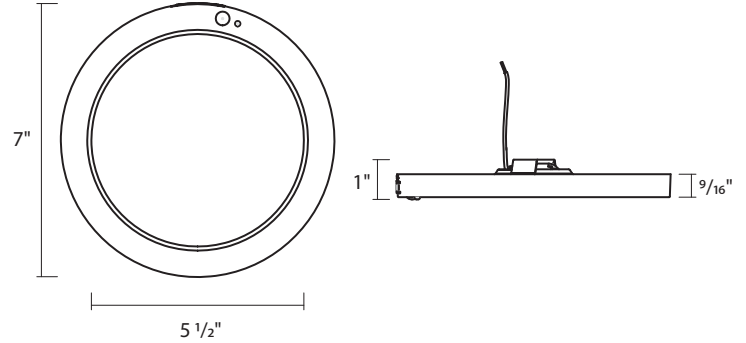
SUMO-R-5/PIR

Weight: 0.46 lbs



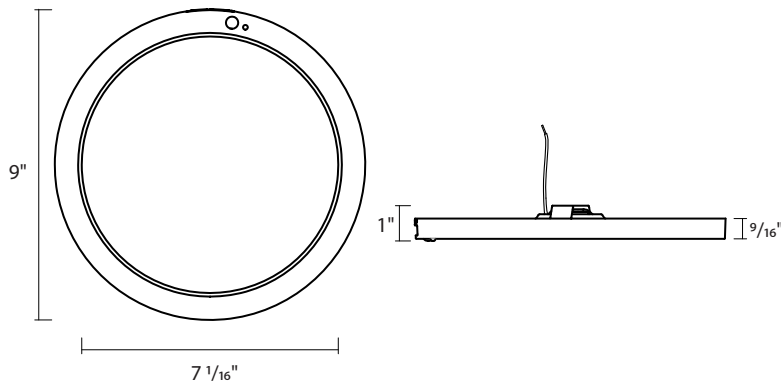
SUMO-R-7/PIR

Weight: 0.69 lbs



SUMO-R-9/PIR

Weight: 1.06 lbs



ORDERING INFO

Catalog Number	Model Number	UPC	Case Pack
SUMO-R-5/PIR	DLS0193(SUMO-R-5/PIR)	192552053938	12
SUMO-R-7/PIR	DLS0194(SUMO-R-7/PIR)	192552053945	12
SUMO-R-9/PIR	DLS0195(SUMO-R-9/PIR)	192552053952	6

ORDERING MATRIX

Family	Size/Wattage	Shape	CRI/Color Temp	Driver	Finish	Trim	Controls						
SUMO							/PIR						
5	5.5", 10W	Blank	Round	Blank	90CRI, 2700/3000/3500/4000/5000K CCT Adjustable	Blank	120V	Blank	White	Blank	Smooth	/PIR	Passive Infrared Occupancy Sensor + Photocell
7	7", 14W												
9	9", 18W												