

Edge-Lit Wafer w/Adjustable Motion Sensor



Integrated PIR Sensor & Photocell

Available in 4" and 6"



4" & 6" Slim Canless Downlight, Smooth & Baffle, 5CCCT Field-Adjustable, Adjustable Motion Settings and Time Out Settings



PROJECT: _____

DATE: _____

TYPE: _____

PREPARED BY: _____



KEY FEATURES

- 5 selectable color temperatures (2700/3000/3500/4000/5000K)
- Integrated PIR sensor with adjustable motion modes and hold times
- Integrated dusk-to-dawn photocell
- 120-277V, non-dimmable
- 50,000 hrs, Energy Star, 5-year, No-Compromise Warranty
- Suitable for use in closets

PERFORMANCE

| Catalog No. | Size | Trim Style | Wattage Equivalency | Input Wattage | Lumens (lm) | Efficacy (lm/W) | Input Voltage | Beam Angle | Color Temperature | CRI | L70 Lifespan | Environment | Energy Star ID |
|-------------|------|------------|---------------------|---------------|-------------|-----------------|---------------|------------|---|-----|--------------|-------------|----------------|
| WFR-4R/PIR | 4" | Smooth | 40W Incandescent | 9W | 750 | 83 | 120-277V | 110° | 2700/3000/3500/4000/5000K Field adjustable via dip switch | 90 | 50,000 hrs | Dry/Damp | TBA |
| WFR-6R/PIR | 6" | | 75W Incandescent | 13W | 1100 | 85 | | | | | | | |

| DISK-4/PIR | 2700K | 3000K | 3500K | 4000K | 5000K |
|---------------|-----------|-----------|-----------|-----------|-----------|
| Input Wattage | 8.71W | 8.74W | 8.61W | 8.68W | 8.66W |
| Lumens | 764 lm | 791 lm | 807 lm | 799 lm | 772 lm |
| Efficacy | 87.7 lm/W | 90.4 lm/W | 93.7 lm/W | 92.1 lm/W | 89.1 lm/W |

| DISK-6/PIR | 2700K | 3000K | 3500K | 4000K | 5000K |
|---------------|-----------|-----------|------------|-----------|-----------|
| Input Wattage | 12.30W | 12.40W | 12.20W | 12.30W | 12.30W |
| Lumens | 1145 lm | 1183 lm | 1220 lm | 1218 lm | 1166 lm |
| Efficacy | 93.1 lm/W | 95.4 lm/W | 100.0 lm/W | 99.0 lm/W | 94.8 lm/W |

TECHNICAL SPECIFICATIONS

CONSTRUCTION

Product Type

Slim style edge-lit surface mount downlight with integrated motion sensor

Size

4", 6"

Shape

Round

Trim Style

Smooth

Enclosure Material

Steel heatsink with robust thermal performance Polyester UV resistant trim

Finish

Matte white, fade & Scratch resistant

Lens Finish

Polycarbonate light diffuser distributes light evenly and smoothly for general lighting applications

REMOTE DRIVER CONSTRUCTION

Remote Driver/Junction Box

Die-formed metal driver / junction box with captive hinged junction box cover. Listed for maximum of (4) 12AWG through branch circuit conductor suitable for 90° C permitted in box. Easy to wire in 2in/2out (plus ground) applications. (4) conduit pry-outs. (3) quick snap-in connectors for quick and reliable line voltage connections. Integral mounting facilitates direct mounting to building structure or mounting frame.

Mounting

No housing is required, two tension steel spring clips secure luminaire to ceiling. Accommodates ceiling thickness up to 15/16". New construction frames are available.

Cable

FT5 Plenum Rated Cable (per UL2043)

ELECTRICAL

Dimmable

No

Driver

Constant Current 120-277V 60 Hz; 120V: 80mA; 208V: 50mA; 240V: 45mA; 277V: 40mA

Operating Temperature

-40°F to 122°F (-40°C to 50°C)

Power Factor

≥0.9

Flicker

≤30%

Beam Angle

110°

SENSOR SETTINGS

Sensor Connection Type

Integrated

Max Mounting Height

6 1/2 ft

Detection Range

13 ft diameter at 6 1/2 ft mounting height

Sensor Technology

Passive Infrared (PIR)

Adjustable Sensor Settings

Integrated dip switches to adjust Motion Modes and Hold Times

Motion Modes

Auto (default): Light OFF during the day, stays OFF at night, turns ON at 100% brightness when motion is detected and stays on until the specified hold time expires and the light turns OFF.

Bi-Level: Light OFF during the day, stays OFF at night, turns ON at 100% brightness when motion is detected and stays on until the specified hold time expires, light reduces to 50% brightness until the specified hold time expires and the light turns OFF.

Off: Motion detection is disabled.

SENSOR SETTINGS (Cont)

Hold Times

30 seconds (*default*), 5 minutes, 10 minutes

Photocell

When the illuminance of natural light is lower than 65-75 lux, the light sensor will be turned off, and will trigger PIR sensor. When the natural light illuminance exceeds 75-85 lux, the light sensor will trigger and the fixture won't light up.

LED CHARACTERISTICS

Beam Angle

110°

Color Temperature

Default 3000K

Field adjustable via dip switch (2700/3000/3500/4000/5000K)

Color Accuracy (CRI)

90

R9 Value

High color performance with R9 greater than 50

Color Consistency

<4-step MacAdam Ellipse binning to achieve consistent fixture-to-fixture color

Color Stability

LED color temperature is warranted to shift no more than 200K in color temperature over a 5-year period

Color Uniformity

RAB's range of Correlated Color Temperature follows the guidelines of the American National Standard for Specifications for the Chromaticity of Solid State Lighting (SSL) Products, ANSI C78.377-2017.

COMPLIANCE

Listings

UL Listed

Environment

Suitable for use indoors in dry and damp environments.

IC Rated

Suitable for direct contact with insulation.

Type IC inherently protected, suitable for direct contact to air permeable insulation and cULus listed for damp locations. Not for use in direct contact with spray foam insulation, consult NEMA LSD57-2013.

Air Tight

Housing certified Air Tight as per ASTM E283

Energy Star Approved

This product is ENERGY STAR® Certified.

California Title 24 JA8 Compliant

Can be used to conform with the requirements of California Title 24 Part 6

California Energy Commission (CEC) Status

Lawful for Sales in California

NEC Compliant

Suitable for use in closets. Compliant with NEC Sec. 410.16 (A)(1) and 410.16 (C1).

IESNA LM-79 & LM80 Testing

RAB LED luminaires and LED components have been tested by an independent laboratory in accordance with IESNA LM-79 and LM-80

RoHS

Mercury and UV free. RoHS-compliant components

FCC

Complies with Part 15 of the FCC Rules

WARRANTY

RAB warrants that our LED products will be free from defects in materials and workmanship for a period of five (5) years from the date of delivery to the end user, including coverage of light output, color stability, driver performance and fixture finish. RAB's warranty is subject to all terms and conditions found at rablighting.com/warranty.

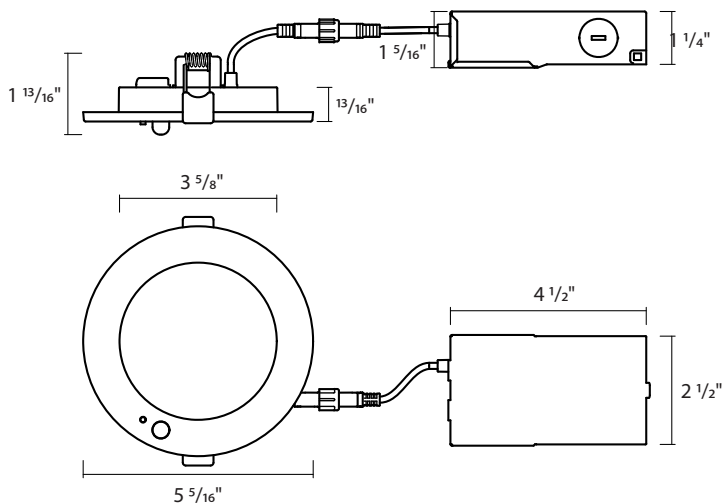
Edge-Lit Wafer w/Adjustable Motion Sensor



DIMENSIONS

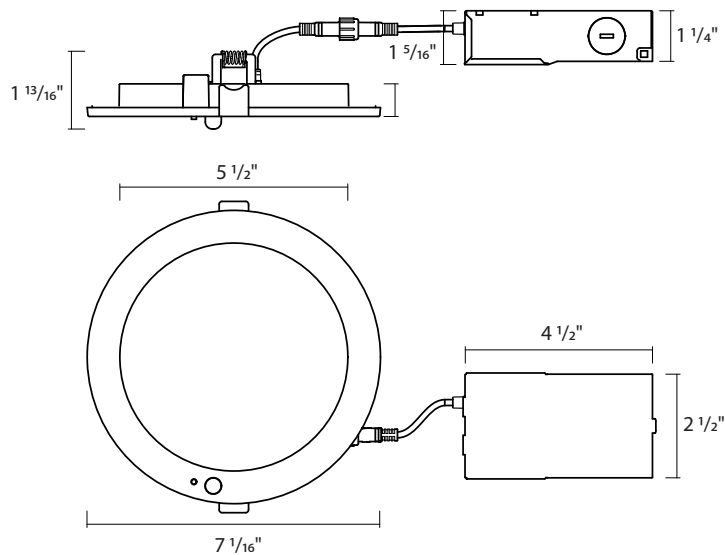
WFR-4R/PIR

Weight: 1.00 lbs



WFR-6R/PIR

Weight: 0.77 lbs



ORDERING INFO

| Catalog Number | Model Number | UPC | Case Pack |
|----------------|---------------------|--------------|-----------|
| WFR-4R/PIR | DLW0150(WFR-4R/PIR) | 192552053983 | 6 |
| WFR-6R/PIR | DLW0151(WFR-6R/PIR) | 192552053990 | 6 |

ORDERING MATRIX

| Family | Size/Wattage | Shape | CRI/Color Temp | Driver | Finish | Trim | Controls | | | | |
|--------|--------------|-------------------|----------------|--------|--|-------|----------|----------------|-----------------|------|---|
| WFR | | | | | | | /PIR | | | | |
| | 4 6 | 4", 9W 6", 13W | Blank Round | Blank | 90CRI, 2700/3000/3500/4000/5000K CCT Adjustable | Blank | 120-277V | Blank White | Blank Smooth | /PIR | Passive Infrared Occupancy Sensor + Photocell |