



Bullhorn bracket safely supports HID floodlights. Great with Floodzilla, Megaflood and Flexflood models.

Color: Galvanized

Weight: 21.9 lbs

Project:

Type:

Prepared By:

Date:

## Technical Specifications

### Installation

#### Mounting:

BULL2W is for mounting slipfitter fixtures onto wooden poles

### Construction

#### Finish:

Galvanized steel

#### Bullhorns:

2 tenons for slip fitters. Bullhorns fit 2 3/8" (6cm) O.D. tenons and accommodate 2 3/8" (6cm) slip fitters. Steel tubing.150" and.200" thick welded.

#### EPA:

Maximum EPA of 5.4 and 105 lbs per arm, total EPA of 10.8 and 210 lbs per BULL2W in a 80 MPH wind zone 1.3 gust factor

Maximum EPA pf 2.65 and 84 lbs per arm, total EPA of 5.3 and 168 lbs per BULL2W in a 150 MPH wind zone 1.3 gust factor

Per AASHTO 2015

### Other

#### Patents:

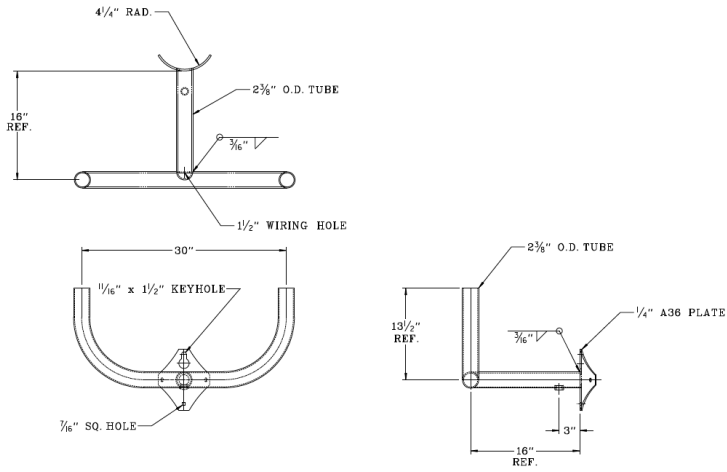
The designs of fixtures are protected under U.S. and international intellectual property laws.

### Compliance

#### Trade Agreements Act Compliant:

This product is a product of Cambodia and a "designated country" end product that complies with the Trade Agreements Act

## Dimensions



## Features

- Easy, secure floodlight mounting
- Double Reinforced weld joints