



Color: White

Weight: 1.0 lbs

Project:	Type:
Prepared By:	Date:

Driver Info		LED Info	
Type	Constant Current, Class 2	Watts	9W
120V	0.07 A	Color Temp	2700/3000/3500/4000/5000K
208V	N/A	Color Accuracy	90 CRI
240V	N/A	L70 Lifespan	N/A
277V	N/A	Lumens	800 lm
Input Watts	9W	Efficacy	88.9

Technical Specifications

Performance

Description:

Trimless downlights make any space feel high-end. Great for new construction and retrofit applications. Available in 2", 3" & 4" small apertures while still providing great lumen output.

Wattage Equivalency:

60W Incandescent

Input Wattage:

9W

Lumens:

2700K @ 718lm;
3000K @ 757lm;
3500K @ 793lm;
4000K @ 820lm;
5000K @ 831lm

Efficacy:

2700K @ 83lm/W;
3000K @ 88lm/W;
3500K @ 94lm/W;
4000K @ 97lm/W;
5000K @ 95lm/W

L70 Lifespan:

50,000-Hour LED lifespan based on IES LM-70 results

Electrical

Driver:

Constant Current, Class 2, 60 Hz, 120V

THD:

≤25%

Power Factor:

≥0.9

Dimmable:

Yes, dimmable down to 10% on compatible TRIAC/ELV dimming systems. See Dimmer Compatibility List.

Input Voltage:

120V

Operating Frequency:

60 Hz

Input Current @ 120V (mA):

75mA

Operating Temperature:

-13°F to 104°F (-25°C to 40°C)

Flicker:

≤30%

Tilt:

30°

LED Characteristics

Beam Angle:

38°

Color Temperature:

Field adjustable via dip switch
2700/3000/3500/4000/5000K

Color Accuracy (CRI):

90 CRI

R9 Value:

High color performance with R9 greater than 50

Color Consistency:

<4-step (2700K & 5000K); <7-step (3000K/3500K/4000K) MacAdam Ellipse binning to achieve consistent fixture-to-fixture color

Color Stability:

LED color temperature is warrantied to Shift no more than 200K in color temperature over a 5-year period

Color Uniformity:

RAB's range of Correlated Color Temperature follows the guidelines of the American National Standard for Specifications for the Chromaticity of Solid State Lighting (SSL) Products, ANSI C78.377-2017.

Technical Specifications (continued)

Installation

Remote Driver/Junction Box:

Die-formed metal driver & junction box with captive hinged junction box cover. Listed for Maximum of (2) 12AWG through branch circuit conductor suitable for 90°C permitted in box. Easy to wire in 1in/1out (plus ground) applications. (4) conduit pry-outs. (3) quick snap-in connectors for quick and reliable line voltage connections. Integral mounting facilitates direct mounting to building structure or mounting frame.

Mounting:

Recessed mounting, not for use inside downlight housings

Construction

Size:

3"

Shape:

Square

Finish:

White

Enclosure Material:

Metal

Trim Style:

Smooth

Lens Finish:

Clear

Lens:

Polycarbonate lens distributes light evenly and smoothly for general lighting applications

Compliance

ETL Listed:

This product has been tested by Intertek and found in compliance with accepted national standards.

Environment:

Suitable for use indoors and outdoors in dry, damp, or wet environments.

IC Rated:

Suitable for direct contact with insulation. Type IC inherently protected, suitable for direct contact to air permeable insulation and cULus listed for damp locations. Not for use in direct contact with spray foam insulation, consult NEMA LSD57-2013.

Air Tight:

Housing certified Air Tight as per ASTM E283

Energy Star Approved:

This product is ENERGY STAR® Version 2.2 Certified.

DLC Listed:

This product family is listed with the DesignLights Consortium (DLC). Individual SKUs within this family may carry either a DLC Standard or DLC Premium qualification. Please refer to the individual product specification sheet or the DLC Qualified Products List (QPL) at designlights.org to confirm the qualification status of a specific SKU prior to specification or purchase.

Certification Model Number:

DLG0025(GR3STL)

California Title 20 Compliant:

No

California Title 24 JA8 Compliant:

Can be used to conform with the requirements of California Title 24 Part 6.

California Energy Commission (CEC) Status:

Lawful for Sales in California

NSF Listed:

No

NEC Compliant:

Suitable for use in closets. Compliant with NEC Sec. 410.16 (A)(1) and 410.16 (C3).

IESNA LM-79 & LM-80 Testing:

RAB LED luminaires and LED components have been tested by an independent laboratory in accordance with IESNA LM-79 and LM-80.

RoHS Compliant:

Mercury and UV free. RoHS-compliant components.

FCC:

Complies with Part 15 of the FCC Rules

Energy Star ID:

3419026

Other

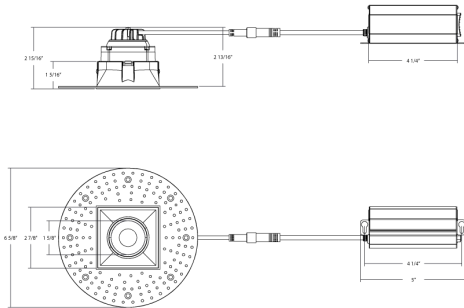
Compatible Accessories:

DRI-21-EMGR-DC-D10
Emergency driver T20

5-Year, No-Compromise Warranty:

RAB warrants that our LED products will be free from defects in materials and workmanship for a period of five (5) years from the date of delivery to the end user, including coverage of light output, color stability, driver performance and fixture finish. RAB's warranty is subject to all terms and conditions found at rablighting.com/warranty.

Dimensions



Features

- High-end trimless design
- 5 Field-adjustable CCTs
- Deep regress, remote driver downlight
- No recessed housing or J-box required
- 120V Triac dimmable driver included

Ordering Matrix

Family	Size/Wattage	Shape	CRI/Color Temp	Driver	Trim	Finish
GR	3	S			TL	
	2 = 2", 6W 3 = 3", 9W 4 = 4", 15W	Blank = Round S = Square	Blank = 90 CRI, 2700/3000/3500/4000/5000K CCT Adjustable	Blank = 120V, TRIAC/ELV	TL = Trimless	Blank = White B = Black