



Color: Black

Weight: 1.0 lbs

|                     |              |
|---------------------|--------------|
| <b>Project:</b>     | <b>Type:</b> |
| <b>Prepared By:</b> | <b>Date:</b> |

| Driver Info |                           | LED Info       |                           |
|-------------|---------------------------|----------------|---------------------------|
| Type        | Constant Current, Class 2 | Watts          | 9W                        |
| 120V        | 0.07 A                    | Color Temp     | 2700/3000/3500/4000/5000K |
| 208V        | N/A                       | Color Accuracy | 90 CRI                    |
| 240V        | N/A                       | L70 Lifespan   | N/A                       |
| 277V        | N/A                       | Lumens         | 800 lm                    |
| Input Watts | 9W                        | Efficacy       | 88.9                      |

**Technical Specifications**

**Performance**

**Description:**

Trimless downlights make any space feel high-end. Great for new construction and retrofit applications. Available in 2", 3" & 4" small apertures while still providing great lumen output.

**Wattage Equivalency:**

60W Incandescent

**Input Wattage:**

9W

**Lumens:**

2700K @ 704lm;  
3000K @ 747lm;  
3500K @ 785lm;  
4000K @ 816lm;  
5000K @ 825lm

**Efficacy:**

2700K @ 79lm/W;  
3000K @ 85lm/W;  
3500K @ 91lm/W;  
4000K @ 95lm/W;  
5000K @ 93lm/W

**L70 Lifespan:**

50,000-Hour LED lifespan based on IES LM-70 results

**Electrical**

**Driver:**

Constant Current, Class 2, 60 Hz, 120V

**THD:**

≤25%

**Power Factor:**

≥0.9

**Dimmable:**

Yes, dimmable down to 10% on compatible TRIAC/ELV dimming systems. See Dimmer Compatibility List.

**Input Voltage:**

120V

**Operating Frequency:**

60 Hz

**Input Current @ 120V (mA):**

75mA

**Operating Temperature:**

-13°F to 104°F (-25°C to 40°C)

**Flicker:**

≤30%

**Tilt:**

30°

**LED Characteristics**

**Beam Angle:**

38°

**Color Temperature:**

Field adjustable via dip switch  
2700/3000/3500/4000/5000K

**Color Accuracy (CRI):**

90 CRI

**R9 Value:**

High color performance with R9 greater than 50

**Color Consistency:**

<4-step (2700K & 5000K); <7-step (3000K/3500K/4000K) MacAdam Ellipse binning to achieve consistent fixture-to-fixture color

**Color Stability:**

LED color temperature is warrantied to Shift no more than 200K in color temperature over a 5-year period

**Color Uniformity:**

RAB's range of Correlated Color Temperature follows the guidelines of the American National Standard for Specifications for the Chromaticity of Solid State Lighting (SSL) Products, ANSI C78.377-2017.

## Technical Specifications (continued)

### Installation

#### Remote Driver/Junction Box:

Die-formed metal driver & junction box with captive hinged junction box cover. Listed for Maximum of (2) 12AWG through branch circuit conductor suitable for 90°C permitted in box. Easy to wire in 1in/1out (plus ground) applications. (4) conduit pry-outs. (3) quick snap-in connectors for quick and reliable line voltage connections. Integral mounting facilitates direct mounting to building structure or mounting frame.

#### Mounting:

Recessed mounting, not for use inside downlight housings

### Construction

#### Size:

3"

#### Shape:

Square

#### Finish:

Black

#### Enclosure Material:

Metal

#### Trim Style:

Smooth

#### Lens Finish:

Clear

#### Lens:

Polycarbonate lens distributes light evenly and smoothly for general lighting applications

### Compliance

#### ETL Listed:

This product has been tested by Intertek and found in compliance with accepted national standards.

#### Environment:

Suitable for use indoors and outdoors in dry, damp, or wet environments.

#### IC Rated:

Suitable for direct contact with insulation. Type IC inherently protected, suitable for direct contact to air permeable insulation and cULus listed for damp locations. Not for use in direct contact with spray foam insulation, consult NEMA LSD57-2013.

#### Air Tight:

Housing certified Air Tight as per ASTM E283

#### Energy Star Approved:

This product is ENERGY STAR® Version 2.2 Certified.

#### DLC Listed:

This product family is listed with the DesignLights Consortium (DLC). Individual SKUs within this family may carry either a DLC Standard or DLC Premium qualification. Please refer to the individual product specification sheet or the DLC Qualified Products List (QPL) at [designlights.org](http://designlights.org) to confirm the qualification status of a specific SKU prior to specification or purchase.

#### Certification Model Number:

DLG0026(GR3STLB)

#### California Title 20 Compliant:

No

#### California Title 24 JA8 Compliant:

Can be used to conform with the requirements of California Title 24 Part 6.

#### California Energy Commission (CEC) Status:

Lawful for Sales in California

#### NSF Listed:

No

#### NEC Compliant:

Suitable for use in closets. Compliant with NEC Sec. 410.16 (A)(1) and 410.16 (C3).

#### IESNA LM-79 & LM-80 Testing:

RAB LED luminaires and LED components have been tested by an independent laboratory in accordance with IESNA LM-79 and LM-80.

#### RoHS Compliant:

Mercury and UV free. RoHS-compliant components.

#### FCC:

Complies with Part 15 of the FCC Rules

#### Energy Star ID:

3419026

### Other

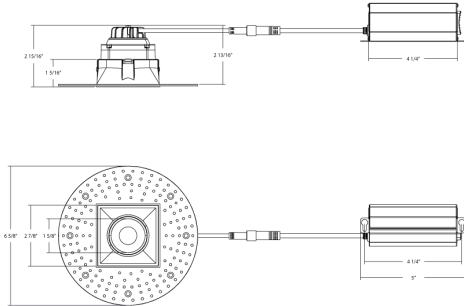
#### Compatible Accessories:

DRI-21-EMGR-DC-D10  
Emergency driver T20

#### 5-Year, No-Compromise Warranty:

RAB warrants that our LED products will be free from defects in materials and workmanship for a period of five (5) years from the date of delivery to the end user, including coverage of light output, color stability, driver performance and fixture finish. RAB's warranty is subject to all terms and conditions found at [rablighting.com/warranty](http://rablighting.com/warranty).

**Dimensions**



**Features**

- High-end trimless design
- 5 Field-adjustable CCTs
- Deep regress, remote driver downlight
- No recessed housing or J-box required
- 120V Triac dimmable driver included

**Ordering Matrix**

| Family | Size/Wattage                            | Shape                       | CRI/Color Temp   | Driver                  | Trim          | Finish                     |
|--------|---|-----------------------------|--|-------------------------|---------------|----------------------------|
| GR     | 3                                       | S                           |  |                         | TL            | B                          |
|        | 2 = 2", 6W<br>3 = 3", 9W<br>4 = 4", 15W | Blank = Round<br>S = Square | Blank = 90 CRI, 2700/3000/3500/4000/5000K CCT Adjustable | Blank = 120V, TRIAC/ELV | TL = Trimless | Blank = White<br>B = Black |