



Color: Bronze

Weight: 200.8 lbs

Project:

Type:

Prepared By:

Date:

Technical Specifications

Compliance

CSA Listed:

Suitable for wet locations

Performance

Description:

Steel pole 7" taper 11 gauge 25 foot welded tenon square base

Construction

Base Shaft Diameter:

7"

Hand Holes:

Reinforced with grounding lug and removable cover

Base Plates:

36,000 p.s.i. minimum yield.

Color:

Bronze powder coating

Height:

25 ft

Gauge:

11

Wall Thickness:

1/8"

Anchor Bolt Templates:

WARNING Template must be printed on 12" x 18" sheet for actual size. CHECK SCALE BEFORE USING. Templates shipped with anchor bolts and available [online](#).

Max EPA's/Max Weights:

- 70MPH 17.9 ft/550 lb.
- 80MPH 12.1 ft/500 lb.
- 90MPH 7.1 ft/500 lb.
- 100MPH 4.4 ft/500 lb.
- 110MPH 2.4 ft/450 lb.
- 120MPH 0.9 ft/400lb

Accessories:

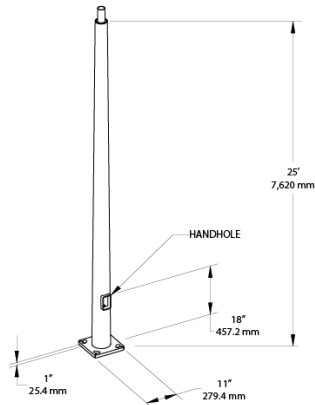
Base/Cap: [BASE-RT7](#)
Anchor Bolts: [BOLT5-8](#)

Other

Terms of Sale:

Pole Terms of Sale is available [online](#).

Dimensions



Features

- Designed for ground mounting
- Heavy duty TGIC polyester coating
- Reinforced hand holes with grounding lug and removable cover for easy wiring access
- Pole caps, base covers & bolts are sold separately
- Custom manufactured for each application

Ordering Matrix

| Family | Shape | Size | Gauge | Height | Drilled/Welded Tenon |
|--------|--------------------|--------|---------|----------|----------------------|
| P | TR | 7 | 11 | 25 | WT |
| | R = Round | 4 = 4" | 07 = 07 | 10 = 10' | D2 = Drilled |
| | TR = Tapered Round | 5 = 5" | 11 = 11 | 15 = 15' | WT = Welded Tenon |
| | | 6 = 6" | | 20 = 20' | |
| | | 7 = 7" | | 25 = 25' | |
| | | 8 = 8" | | 30 = 30' | |