



Project:	Type:
Prepared By:	Date:

Driver Info		LED Info	
Type	Constant Current	Watts	7W
120V	0.07A	Color Temp	2700/3000/3500/4000/5000K
208V	0.00A	Color Accuracy	90 CRI
240V	0.00A	L70 Lifespan	30,000 Hours
277V	0.00A	Lumens	582-634 lm
Input Watts	6.8-7W	Efficacy	83.5-93.7 lm/W

Technical Specifications

Performance

Input Wattage:

7W

Lumens:

600lm

Efficacy:

86lm/W

L70 Lifespan:

30,000-hour LED lifespan based on IES LM-70 results

Electrical

Driver:

Constant Current @ 120V, 60 Hz: 65mA

Power Factor:

0.9

Dimmable:

Yes, dimmable down to 10% on compatible TRIAC/ELV dimming systems. See Dimmer Compatibility List.

Input Voltage:

120V

Operating Frequency:

60 Hz

Operating Temperature:

-4°F to 104°F (-20°C to 40°C)

Flicker:

<30%

LED Characteristics

Beam Angle:

90°

Color Temperature:

Field adjustable via dip switch
2700/3000/3500/4000/5000K

Color Accuracy (CRI):

90 CRI

Natural Spectrum:

No

R9 Value:

High color performance with R9 greater than 50

Color Consistency:

<5-step (2700K &5000K);<7-step (3000/3500/4000K)
MacAdam Ellipse binning to achieve consistent fixture-to-fixture color

Installation

Remote Driver/Junction Box:

Aluminum driver / junction box with captive hinged junction box cover. Listed for (6) #12 AWG 90°C splice conductors, 2-in, 2-out plus (2) ground. Integral keyhole mounting slots facilitate direct mounting to building structure or new construction mounting frame.

Mounting:

Utilizes a remote driver with built-in junction box and quick disconnect; Eliminates the need for traditional downlight housings.

Construction

Size:

4"

Shape:

Round

Finish:

White

Enclosure Material:

Plastic

Trim Style:

Baffle

Technical Specifications (continued)**Lens Finish:**

Frosted

Lens:

Polycarbonate light diffuser distributes light evenly and smoothly for general lighting applications

Compliance**Listings:**

UL Listed

Environment:

Suitable for use indoors and outdoors in dry, damp, or wet environments.

IC Rated:

Suitable for direct contact with insulation. Type IC inherently protected, suitable for direct contact to air permeable insulation and cULus listed for damp locations. Not for use in direct contact with spray foam insulation, consult NEMA LSD57-2013.

Air Tight:

No

Energy Star Approved:

This product is ENERGY STAR® Certified.

Certification Model Number:

DLW0143(WFD34-4B)

California Title 20 Compliant:

No

California Title 24 JAB Compliant:

Can be used to conform with the requirements of California Title 24 Part 6.

California Energy Commission (CEC) Status:

Lawful for Sales in California

NEC Compliant:

Suitable for use in closets. Compliant with NEC Sec. 410.16 (A)(1) and 410.16 (C3).

IESNA LM-79 & LM-80 Testing:

RAB LED luminaires and LED components have been tested by an independent laboratory in accordance with IESNA LM-79 and LM-80.

RoHS:

Mercury and UV free. RoHS-compliant components.

FCC:

Complies with Part 15 of the FCC Rules

Trade Agreements Act Compliant:

This product is a product of Cambodia and a "designated country" end product that complies with the Trade Agreements Act

Other**Compatible Accessories:**

DLPLATE/WFR3468/NB
3", 4", 6", 8" Mounting plate w/nailer bar

DLPLATE/WFR3456
3", 4", 5", 6" Mounting plate

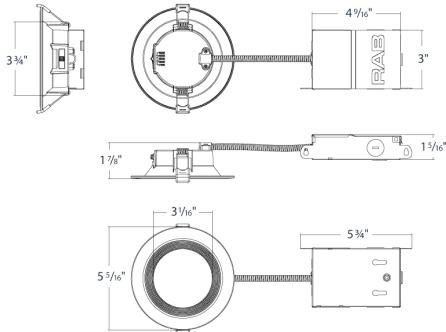
DLPLATE/WFR4/NB/CL
4" Mounting plate w/nailer bar and drywall collar

DLPLATE/WFR4
4" Mounting plate

3-Year Limited Warranty:

The RAB 3-year, limited warranty covers light output, driver performance and paint finish. RAB's warranty is subject to all terms and conditions found at rablighting.com/warranty

Dimensions



Features

Recessed can-less LED recessed downlights designed for easy installation into new construction or remodel applications.

Five selectable color temperatures in each fixture.
(2700-3000-3500-4000-5000K)

No housing required and includes pre-wired junction box. IC and Air-Tight rated.

Available in smooth & baffle trims, wet location rated, and CEC Title 24 compliant

Packaged in bulk case quantities of 12

Ordering Matrix

Family	Size/Wattage	Shape	CRI/Color Temp	Driver	Finish	Trim	Options
WFD34	4					B	/BP
	4 = 4", 7W 6 = 6", 9.5W	Blank = Round	Blank = 90 CRI, 2700/3000/3500/4000/5000K CCT Adjustable	Blank = 120V, TRIAC/ELV	Blank = White	Blank = Smooth B = Baffle	/BP = Bulk 12- pack