



<b>Project:</b>	<b>Type:</b>
<b>Prepared By:</b>	<b>Date:</b>

Driver Info		LED Info	
Type	Constant Current	Watts	15W
120V	0.14A	Color Temp	2700/3000/3500/4000/5000K
208V	N/A	Color Accuracy	90 CRI
240V	N/A	L70 Lifespan	N/A
277V	N/A	Lumens	1,620 lm
Input Watts	15W	Efficacy	108

**Technical Specifications**

**Performance**

**Product Type:**

Deep Regress Wafer

**Description:**

Deep regress remote driver downlight looks like a traditional recessed retrofit but without the need of a traditional downlight housing.

**Wattage Equivalency:**

120W Incandescent

**Input Wattage:**

15W

**Lumens:**

2700K @ 1,525lm; 3000K @ 1,562lm; 3500K @ 1,627lm; 4000K @ 1,662lm; 5000K @ 1,685lm

**Efficacy:**

2700K @ 108lm/W; 3000K @ 112lm/W; 3500K @ 118lm/W; 4000k @ 119lm/W; 5000K @ 118lm/W

**L70 Lifespan:**

50,000-Hour LED lifespan based on IES LM-70 results

**Driver:**

Constant Current, Class 2, 60 Hz, 120V: 0.14A

**Electrical**

**THD:**

≤20%

**Power Factor:**

≥0.9

**Dimmable:**

Yes, dims down to 10% on compatible TRIAC/ELV systems. See Dimmer Compatibility List on rablighting.com.

**Input Voltage:**

120V  
120-277V when paired with HAD6/D10 driver, sold separately

**Operating Frequency:**

60 Hz

**Input Current @ 120V (mA):**

137mA

**Operating Temperature:**

-4°F to 104°F (-20°C to 40°C)

**Flicker:**

5%

**LED Characteristics**

**Beam Angle:**

90°

**Color Temperature:**

Field adjustable via dip switch  
2700/3000/3500/4000/5000K

**Color Accuracy (CRI):**

>90 CRI

**R9 Value:**

High color performance with R9 greater than or equal to 50

**Color Consistency:**

4-step MacAdam Ellipse binning to achieve consistent fixture-to-fixture color

**Color Stability:**

LED color temperature is warrantied to Shift no more than 200K in color temperature over a 5-year period

**Color Uniformity:**

RAB's range of Correlated Color Temperature follows the guidelines of the American National Standard for Specifications for the Chromaticity of Solid State Lighting (SSL) Products, ANSI C78.377-2017.

## Technical Specifications (continued)

### Installation

#### Mounting:

Utilizes a remote driver with built-in junction box and quick disconnect; Eliminates the need for traditional downlight housings

### Construction

#### Size:

6"

#### Shape:

Round

#### Finish:

White

#### Enclosure Material:

Metal

#### Trim Style:

Regressed Smooth

#### Remote Driver/ Junction Box:

Aluminum driver / junction box with captive hinged junction box cover.

Listed for (6) #12 AWG 90°C splice conductors, 2-in, 2-out plus (2) ground.

Integral keyhole mounting slots facilitate direct mounting to building structure or new construction mounting frame.

#### Lens:

Polycarbonate light diffuser distributes light evenly and smoothly for general lighting applications

#### Cut Out Template Size:

6 5/16"

#### Air Tight:

Housing certified Air Tight as per ASTM-E283

### Compliance

#### Listings:

UL Listed

#### Environment:

Suitable for use in dry, damp, and wet environments.

#### IC Rated:

Suitable for direct contact with insulation.

Type IC inherently protected, suitable for direct contact to air permeable insulation and cULus listed for damp locations. Not for use in direct contact with spray foam insulation, consult NEMA LSD57-2013.

#### Plenum Rated:

Classified by UL 2043 Fire Test for heat and visible smoke release for discrete products and their accessories installed in air-handling spaces.

#### Energy Star Approved:

This product is ENERGY STAR® Version 2.2 Certified.

#### Certification Model Number:

DLW0101(WFD6)

#### T20 Compliant:

No, this product does not meet California Title 20 requirements.

#### California Title 24 JA8 Compliant:

Can be used to conform with the requirements of California Title 24 Part 6.

#### California Energy Commission (CEC) Status:

Lawful for Sales in California

#### NEC Compliant:

Suitable for use in closets. Compliant with NEC Sec. 410.16 (A)(1) and 410.16 (C3).

#### IESNA LM-79 & LM-80 Testing:

RAB LED luminaires and LED components have been tested by an independent laboratory in accordance with IESNA LM-79 and LM-80.

#### RoHS:

Mercury and UV free. RoHS-compliant components.

#### FCC:

Complies with Part 15 of the FCC Rules

#### Trade Agreements Act Compliant:

This product is a product of Cambodia and a "designated country" end product that complies with the Trade Agreements Act

#### Energy Star ID:

3555554

### Other

#### Accessories:

[DLPLATE/WFR3468/NB](#)

Mounting Plate w/nailer bar

[DLPLATE/WFR3456](#)

Mounting plate for 3", 4", 5" and 6"

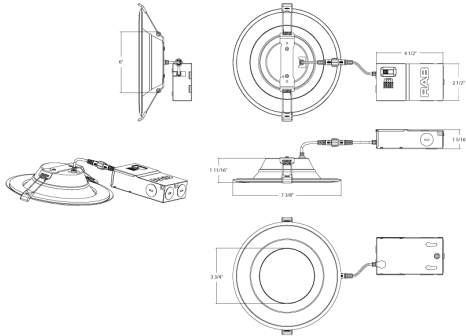
[DRI-EMB-15S-LV](#)

2-n-1 Driver + Battery Backup

#### 5-Year, No-Compromise Warranty:

RAB warrants that our LED products will be free from defects in materials and workmanship for a period of five (5) years from the date of delivery to the end user, including coverage of light output, color stability, driver performance and fixture finish. RAB's warranty is subject to all terms and conditions found at [rablighting.com/warranty](http://rablighting.com/warranty).

Dimensions



Features

- 5 color temperatures in 1 SKU (2700K, 3000K, 3500K, 4000K, 5000K)
- No recessed housing or j-box required
- Dimmable on TRIAC/ELV, see Dimmer Compatibility List
- Suitable for indoor and outdoor use in dry, damp, and wet environments
- 50,000 hr lifespan and 5-year no-compromise warranty

Ordering Matrix

Family	Size (Wattage)	Shape	CRI/Color Temp	Driver	Finish	Trim
WFD	6					
	4 = 4" (13W) 6 = 6" (15W)	Blank = Round	Blank = 90CRI, 2700/3000/3500/4000/5000K CCT Adjustable	Blank = 120V	Blank = White	Blank = Smooth B = Baffle