



<b>Project:</b>	<b>Type:</b>
<b>Prepared By:</b>	<b>Date:</b>

Driver Info		LED Info	
Type	Constant Current	Watts	12/10/8W
120V	0.11A	Color Temp	2700/3000/3500/4000/5000K
208V	0.06A	Color Accuracy	90 CRI
240V	0.06A	L70 Lifespan	N/A
277V	0.05A	Lumens	1100/825/675 lm
Input Watts	12/10/08W	Efficacy	92/83/84 lm/W

**Technical Specifications**

**Performance**

**Product Type:**

High-output Edge-lit Wafer

**Description:**

4" and 6" wafers with selectable wattage and CCT that boast 90 CRI. Designed for 120-277V use and TRIAC/ELV dimming. Available with smooth or baffle trim.

**Wattage Equivalency:**

60W Incandescent

**Input Wattage:**

12/10/8W

**Lumens (Nominal):**

1100/825/675lm

**Lumens (Measured):**

8W  
704lm @ 2700K; 711lm @ 3000K; 723lm @ 3500K;  
729lm @ 4000K; 729lm @ 5000K

10W

875lm @ 2700K; 886lm @ 3000K; 904lm @ 3500K;  
910lm @ 4000K; 906lm @ 5000K

12W

1065lm @ 2700K; 1080lm @ 3000K; 1104lm @ 3500K;  
1112lm @ 4000K; 1105lm @ 5000K

**Efficacy:**

92/83/84lm/W

**L70 Lifespan:**

50,000-Hour LED lifespan based on IES LM-70 results

**Electrical**

**Driver:**

Constant Current, Class 2; 120-277V; 60 Hz; 120V: 110mA, 208V: 60mA, 240V, 55mA, 277V: 46mA

**THD:**

≤20%

**Power Factor:**

≥0.9

**Dimmable:**

Yes, dimmable down to 10% on compatible 120V TRIAC/ELV dimming systems. See Dimmer Compatibility List.

**Input Voltage:**

120-277V

**Operating Frequency:**

50/60Hz

**Operating Temperature:**

-4°F to 104°F (-20°C to 40°C)

**Flicker:**

≤30%

**LED Characteristics**

**Beam Angle:**

110°±10°

**Color Temperature:**

Field adjustable via dip switch  
2700/3000/3500/4000/5000K

**Color Accuracy (CRI):**

90 CRI

**R9 Value:**

High color performance with R9 greater than 50

**Color Consistency:**

<4-step (2700K & 5000K) MacAdam Ellipse binning to achieve consistent fixture-to-fixture color

**Color Stability:**

LED color temperature is warranted to Shift no more than 200K in color temperature over a 5-year period

**Color Uniformity:**

RAB's range of Correlated Color Temperature follows the guidelines of the American National Standard for Specifications for the Chromaticity of Solid State Lighting (SSL) Products, ANSI C78.377-2017.



## Technical Specifications (continued)

### Installation

#### Remote Driver/Junction Box:

Die formed metal driver / junction box with captive hinged junction box cover. Listed for Maximum of (4) 12AWG through branch circuit conductor suitable for 90°C permitted in box. Easy to wire in 2in/2out (plus ground) applications. (4) conduit pry-outs. (3) quick snap-in connectors for quick and reliable line voltage connections. Integral mounting facilitates direct mounting to building structure or mounting frame.

#### Mounting:

Recessed, no housing required

### Construction

#### Size:

4"

#### Shape:

Round

#### Finish:

White

#### Endcap Material:

Plastic

#### Enclosure Material:

Metal+Plastic

#### Trim Style:

Smooth

#### Lens:

Polycarbonate light diffuser distributes light evenly and smoothly for general lighting applications

#### Air Tight:

Housing certified Air Tight as per ASTM-E283

### Compliance

#### Listings:

UL Listed

#### Environment:

Suitable for use indoors and outdoors in dry, damp, or wet environments.

#### IC Rated:

Suitable for direct contact with insulation. Type IC inherently protected, suitable for direct contact to air permeable insulation and cULus listed for damp locations. Not for use in direct contact with spray foam insulation, consult NEMA LSD57-2013.

#### Energy Star Approved:

This product is ENERGY STAR® Certified.

#### Energy Star ID:

3942796

#### DLC Listed:

This product family is listed with the DesignLights Consortium (DLC). Individual SKUs within this family may carry either a DLC Standard or DLC Premium qualification. Please refer to the individual product specification sheet or the DLC Qualified Products List (QPL) at [designlights.org](http://designlights.org) to confirm the qualification status of a specific SKU prior to specification or purchase.

#### Certification Model Number:

DLW0132(WFRX-4D)

#### California Title 20 Compliant:

No

#### California Title 24 JA8 Compliant:

Can be used to conform with the requirements of California Title 24 Part 6.

#### California Energy Commission (CEC) Status:

Lawful for Sales in California

#### NEC Compliant:

Suitable for use in closets. Compliant with NEC Sec. 410.16 (A)(1) and 410.16 (C3).

#### IESNA LM-79 & LM-80 Testing:

RAB LED luminaires and LED components have been tested by an independent laboratory in accordance with IESNA LM-79 and LM-80.

#### RoHS:

Mercury and UV free. RoHS-compliant components.

#### FCC:

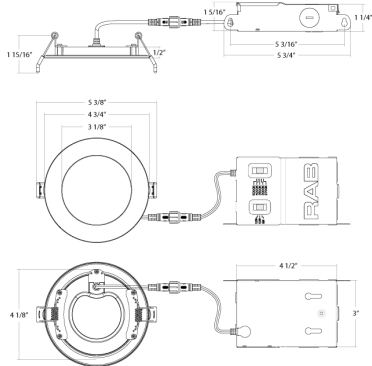
Complies with Part 15 of the FCC Rules

### Other

#### 5-Year, No-Compromise Warranty:

RAB warrants that our LED products will be free from defects in materials and workmanship for a period of five (5) years from the date of delivery to the end user, including coverage of light output, color stability, driver performance and fixture finish. RAB's warranty is subject to all terms and conditions found at [rablighting.com/warranty](http://rablighting.com/warranty).

**Dimensions**



**Features**

- Field-adjustable power and color temperature
- Ideal for residential and commercial applications using 120-277V
- Dimmable at 120V using TRIAC/ELV, see dimmer compatibility list
- No recessed housing or j-box required
- 50,000 hrs, 5-yr no-compromise warranty, Title 24 Compliant

**Ordering Matrix**

Family	Size/Wattage	Shape	CRI/Color Temp	Finish	Trim	Driver
WFRX	4					D
	4 = 4", 12/10/8W 6 = 6", 15/13/11W	Blank = Round	Blank = 90 CRI, 2700/3000/3500/4000/5000K	Blank = White	Blank = Smooth B = Baffle	D = 120-277V