

Applications

TCP's surface mount kits are an accessory designed especially for TCP DT Series Panels. These kits provide an aesthetically pleasing style and a low-profile silhouette. Ideal for field installation on insulated or non-insulated sheet rock ceilings.

Construction

- Durable aluminum frame
- Post-painted in white powder coat paint
- Easy-to-assemble for quick field installation
- Low-profile design
- Can accommodate TCP LED Panels with or without emergency backup option



Listing

RoHS Compliant

Warranty

Five year limited warranty against defects in manufacturing

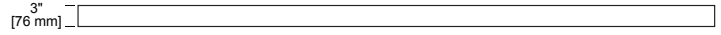
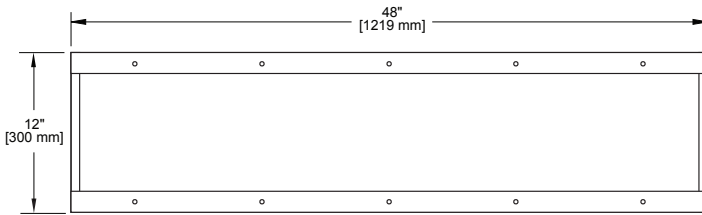
Catalog Ordering Matrix (kits ordered as accessory sold separately)

TCP Item #	SIZE	DIMENSIONS (L x W x D)	FINISH	TCP TROFFER COMPATIBILITY (TCP Model #s)
DTSK1	1x4	48" x 12" x 3" (1219mm x 300mm x 76mm)	White	DTF1
DTSK2	2x2	24" x 24" x 3" (609mm x 609mm x 76mm)	White	DTF2
DTSK4	2x4	48" x 24" x 3" (1219mm x 609mm x 76mm)	White	DTF4

For the most up-to-date specs and warranty information, please visit www.tcpi.com

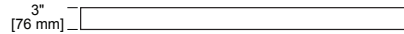
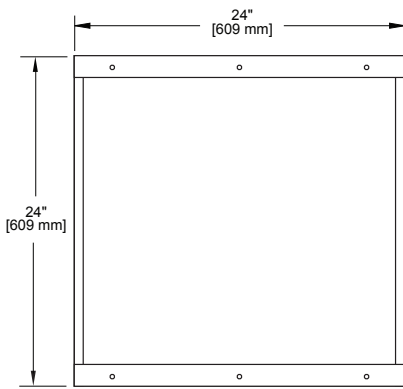
Dimensions and Weight:

DTSK1 – 1x4 Kit



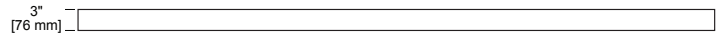
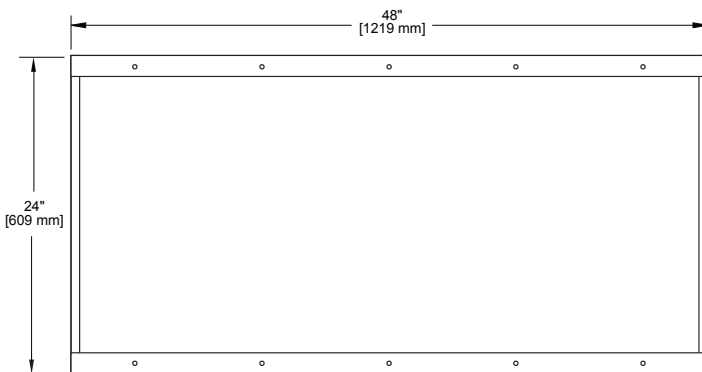
Length: 48" (1219mm)
Width: 12" (300mm)
Depth: 3" (76mm)

DTSK2 – 2x2 Kit



Length: 24" (609mm)
Width: 24" (609mm)
Depth: 3" (76mm)

DTSK4 – 2x4 Kit



Length: 48" (1219mm)
Width: 24" (609mm)
Depth: 3" (76mm)

TECHNOLOGY CAST IN A BEAUTIFUL LIGHT

For over 30 years, TCP has been designing, developing and delivering energy-efficient lighting into the market. Thanks to our cutting-edge technology and manufacturing expertise, we have shipped billions of high quality lighting products. With TCP, you can count on a lighting product that is designed to meet the needs of the market - that transforms your surroundings and envelopes you in warmth - lighting that generates beauty with every flip of the switch.

Sales:

Date:

Model:

Project:

Rep:

Catalog Number:

Type:

Notes:



For more information on the quality and care TCP can deliver, call us at **800.324.1496** or visit tcp.com

325 Campus Dr. | Aurora, Ohio 44202 | P: 800.324.1496 | F: 877.487.0516